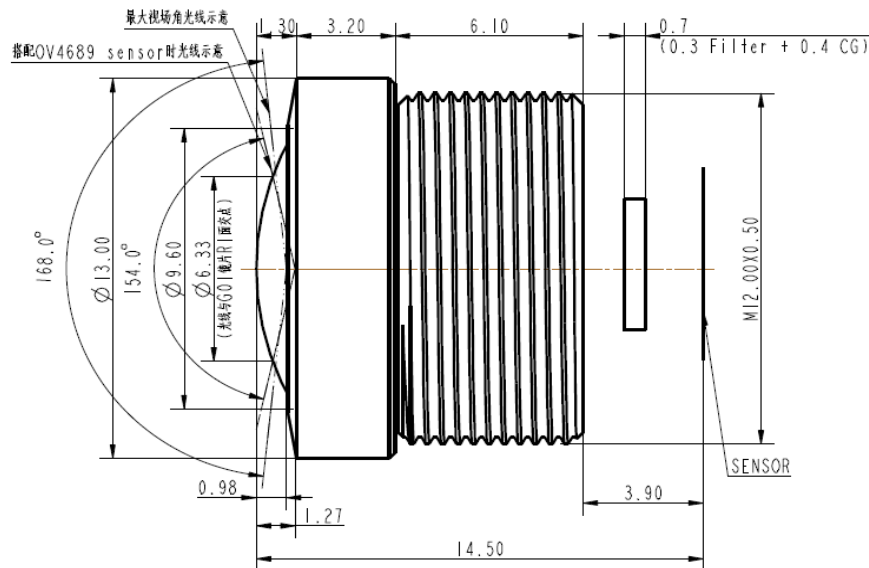


# SPECIFICATION

IMAGE FORMAT	1/2.9"
FOCAL LENGTH	2.56mm
F.O.V.(sensor OV4689)	154°(D)
	130°(H)
	71°(V)
RESOLUTION	4 Megapixel
OPTICAL DISTORTION	<-72%
TV DISTORTION	<-9%(H)
APERTURE	F2.4
MOUNT	M12X0.5
IRIS	Fixed
T.T.L.	14.5mm
B.F.L.	4.38mm
M.B.F.L.	3.8mm
M.O.D.	0.2m
LENS COMPONENT	6G



SCALE		DRAWN		MODEL	<b>CCL129025624MPR</b>	REV	DESCRIPTION	DATE	NAME
DATE		CHECK		 香港致远电子集团有限公司 HONGKONG TOWIN ELECTRONICS CO.,LTD.		①			
UNIT	mm	APPROVE				②			
						③			