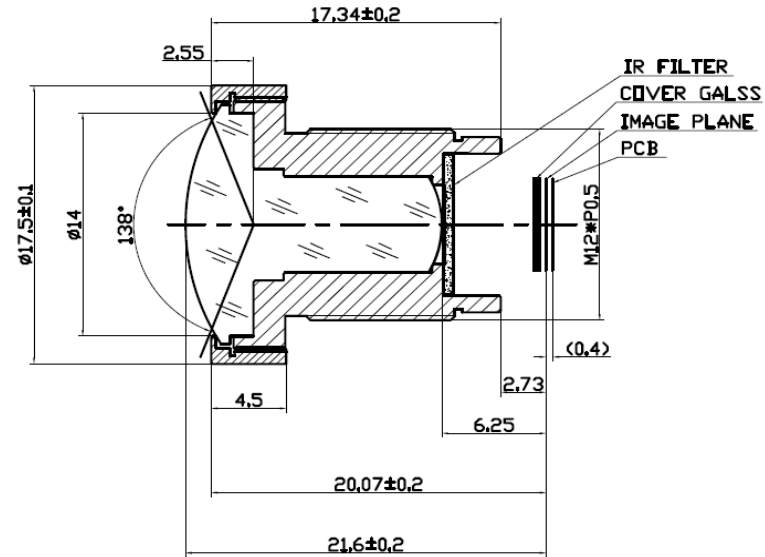


# SPECIFICATION

IMAGE FORMAT	1/2.8"
FOCAL LENGTH	2.8mm
F.O.V.(IMX290)	132°(D)
	112°(H)
	63°(V)
RESOLUTION	4 Megapixel
APERTURE	F2.0
MOUNT	M12X0.5
IRIS	Fixed
FOCUS	Manual
ZOOM	Fixed
B.F.L.	6.25mm
M.O.D.	0.2m
CONSTRUCTION	6G+IRF



SCALE		DRAWN		MODEL	<b>CCL128028MPF</b>	REV	DESCRIPTION	DATE	NAME
DATE		CHECK		 香港致远电子集团有限公司 HONGKONG TOWIN ELECTRONICS CO.,LTD.		①			
UNIT	mm	APPROVE				②			
						③			