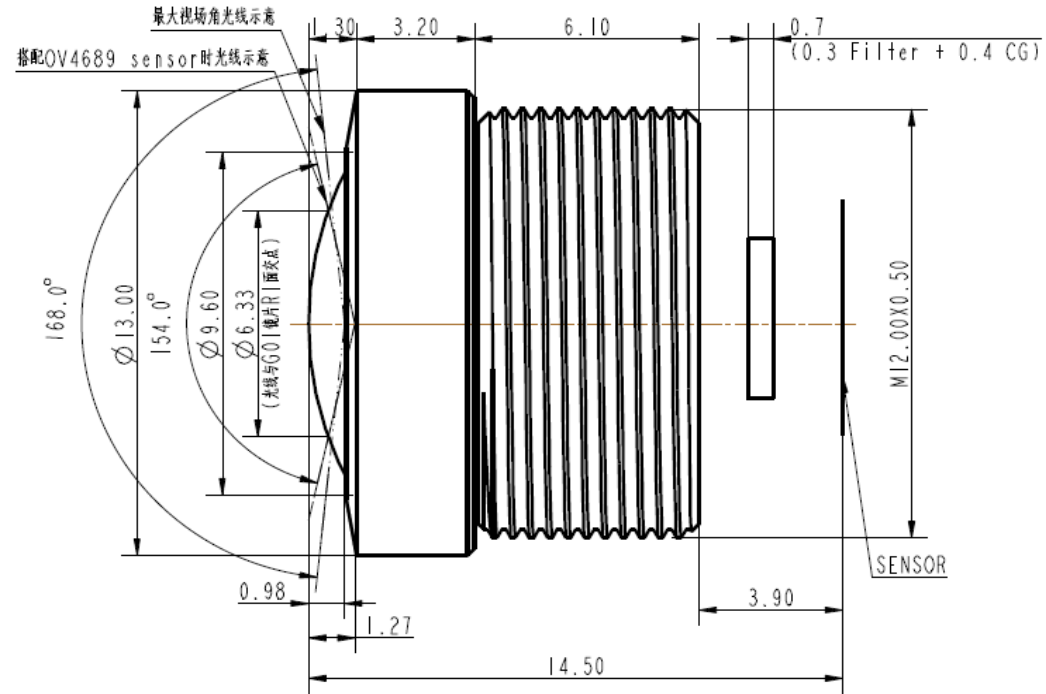


SPECIFICATION

IMAGE FORMAT	1/2.8"
FOCAL LENGTH	2.56mm
F.O.V.(sensor IMX290)	165°(D)
	140°(H)
	76°(V)
F.O.V.(1/3")	150°(D)
	113°(H)
	82°(V)
RESOLUTION	4 Megapixel
OPTICAL DISTORTION	<-72%
TV DISTORTION	<-9%(H)
APERTURE	F2.4
MOUNT	M12X0.5
IRIS	Fixed
T.T.L.	14.5mm
B.F.L.	4.38mm
CONSTRUCTION	6G



SCALE		DRAWN		MODEL	CCL128025624MP	REV	DESCRIPTION	DATE	NAME
DATE		CHECK		 香港致远电子集团有限公司 HONGKONG TOWIN ELECTRONICS CO.,LTD.		①			
UNIT	mm	APPROVE				②			
						③			