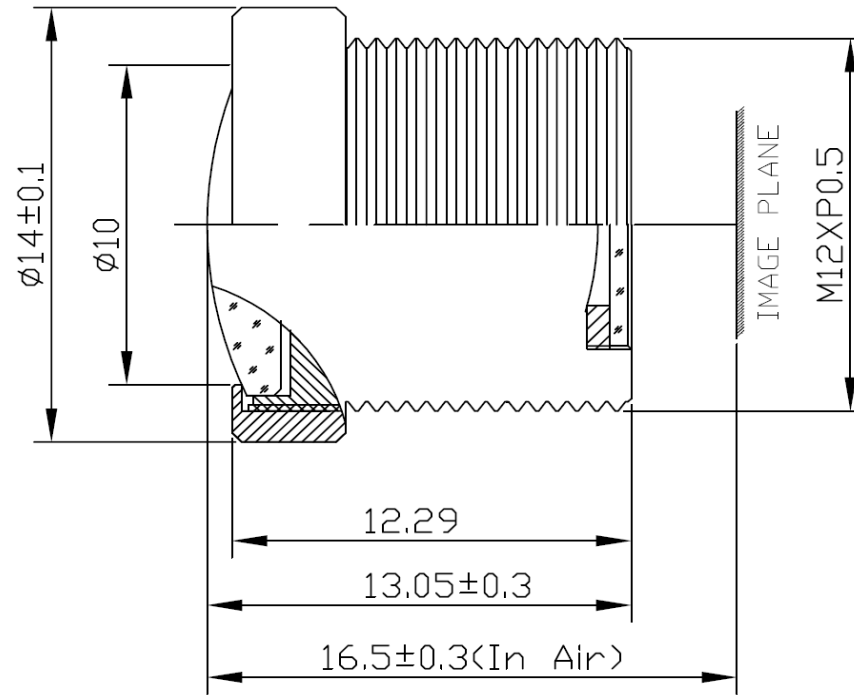


# SPECIFICATION

IMAGE FORMAT	1/2.8"
FOCAL LENGTH	2.4mm
F.O.V.(sensor IMX290)	165°(D)
	140°(H)
	75°(V)
RESOLUTION	4 Megapixel
OPTICAL DISTORTION	<-83%
APERTURE	F2.4
MOUNT	M12X0.5
IRIS	Fixed
FOCUS	Manual
ZOOM	Fixed
B.F.L.	3.55mm
M.O.D.	0.2m
CONSTRUCTION	6G+IRF



SCALE	DRAWN	MODEL	CCL128024MPF	REV	DESCRIPTION	DATE	NAME
DATE	CHECK	 香港致远电子集团有限公司 HONGKONG TOWIN ELECTRONICS CO.,LTD.		①			
UNIT	APPROVE			②			
				③			