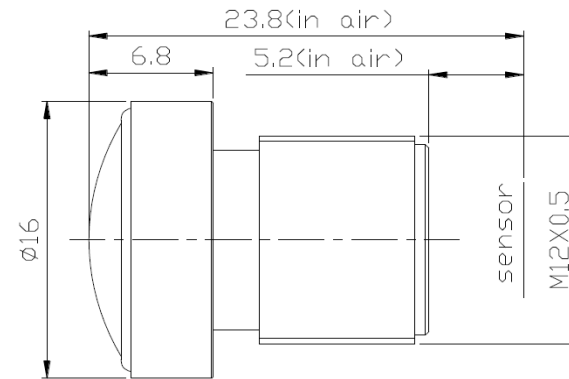


SPECIFICATION

IMAGE FORMAT	1/2.8"
FOCAL LENGTH	2.1mm
F.O.V.(IMX290)	156°(D)
	134°(H)
	75°(V)
RESOLUTION	3 Megapixel
APERTURE	F1.8
MOUNT	M12X0.5
IRIS	Fixed
FOCUS	Manual
ZOOM	Fixed
B.F.L.	5.2mm
M.O.D.	0.3m
CONSTRUCTION	7G
BARREL	Plastic
IR	Corrected



SCALE		DRAWN		MODEL	CCL128021MP	REV	DESCRIPTION	DATE	NAME
DATE		CHECK		 香港致远电子集团有限公司 HONGKONG TOWIN ELECTRONICS CO.,LTD.		①			
UNIT	mm	APPROVE				②			
						③			