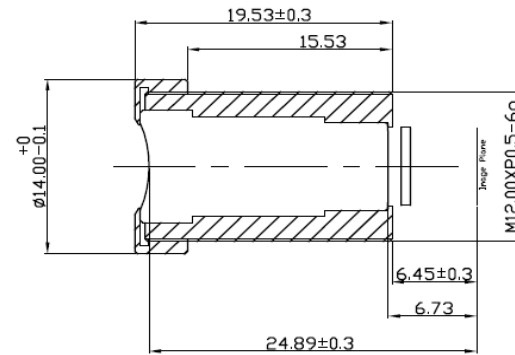


# SPECIFICATION

IMAGE FORMAT	1/2.7"
FOCAL LENGTH	6mm
F.O.V.	75°(D)
	63°(H)
	44°(V)
RESOLUTION	2 MP
APERTURE	F1.4
MOUNT	M12x0.5
IRIS	Fixed
M.O.D.	0.2m
DIMENSION	Φ14x19.5mm
LENS COMPONENT	5G



SCALE	5:1	DRAWN		MODEL	<b>CCL127060MP</b>	REV	DESCRIPTION	DATE	NAME
DATE		CHECK		 香港致远电子集团有限公司 HONGKONG TOWIN ELECTRONICS CO.,LTD.	①				
UNIT	mm	APPROVE			②				
					③				