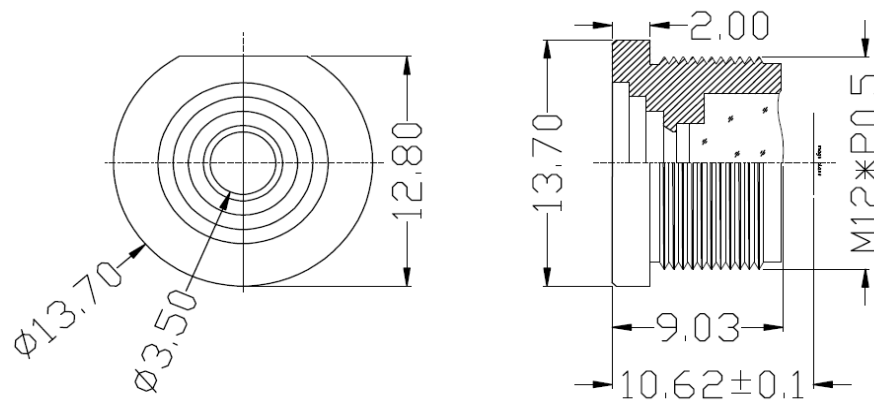


SPECIFICATION

IMAGE FORMAT	1/2.7"
FOCAL LENGTH	5.5mm
F.O.V.	68°(D)
	55°(H)
	48°(V)
RESOLUTION	2Megapixel
DISTORTION	1%
APERTURE	F2.8
MOUNT	M12X0.5
IRIS	Fixed
FOCUS	Manual
ZOOM	Fixed
R.I.	70%
B.F.L.	0.8mm
LENS COMPONENT	4P+IR cut but 850±10nm pass filter



SCALE		DRAWN		MODEL	CCL127055MPF	REV	DESCRIPTION	DATE	NAME
DATE		CHECK		 香港致远电子集团有限公司 HONGKONG TOWIN ELECTRONICS CO.,LTD.		①			
UNIT	mm	APPROVE				②			
						③			