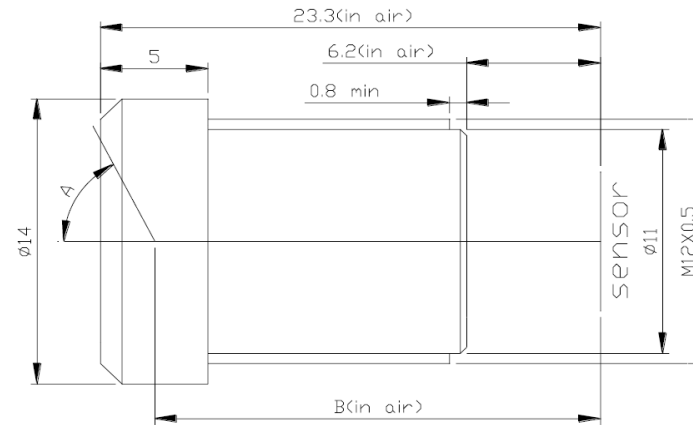


SPECIFICATION

IMAGE FORMAT	1/2.7"
FOCAL LENGTH	3.6mm
F.O.V.	117°(D)
	95°(H)
	49°(V)
RESOLUTION	3Megapixel
APERTURE	F1.2
MOUNT	M12X0.5
IRIS	Fixed
FOCUS	Manual
ZOOM	Fixed
B.F.L.	6.2mm
M.O.D.	0.3m
IR	Corrected



A: 59°

B: 20.4

SCALE		DRAWN		MODEL	CCL12703612MP	REV	DESCRIPTION	DATE	NAME
DATE		CHECK		 香港致远电子集团有限公司 HONGKONG TOWIN ELECTRONICS CO.,LTD.		①			
UNIT	mm	APPROVE				②			
						③			