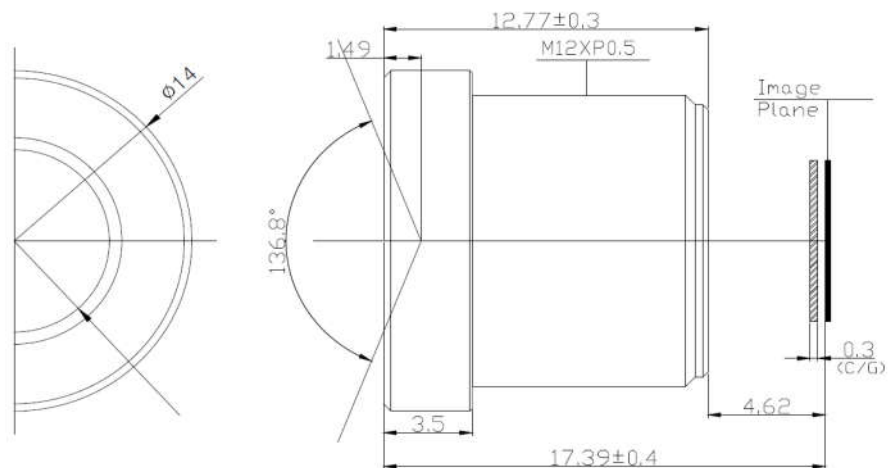


# SPECIFICATION

IMAGE FORMAT	1/2.7"
FOCAL LENGTH	3.3mm
F.O.V.(OV2710)	136.8°(D)
	111°(H)
	57°(V)
RESOLUTION	2 MegaPixel
TV DISTORTION	<-16%
APERTURE	F2.4
MOUNT	M12X0.5
IRIS	Fixed
FOCUS	Manual
ZOOM	Fixed
T.T.L.	17.39mm
CONSTRUCTION	4G



SCALE		DRAWN		MODEL	<b>CCL12703324MP</b>	REV	DESCRIPTION	DATE	NAME
DATE		CHECK		 香港致远电子集团有限公司 HONGKONG TOWIN ELECTRONICS CO.,LTD.		①			
UNIT	mm	APPROVE				②			
						③			