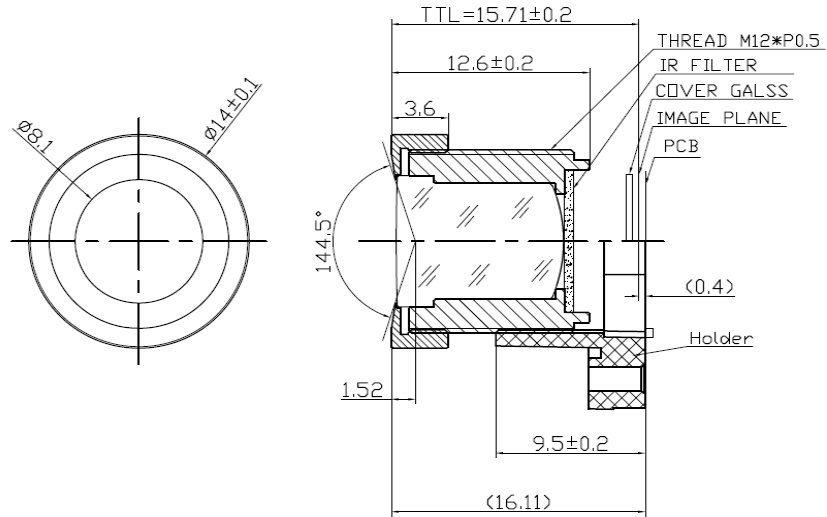


SPECIFICATION

IMAGE FORMAT	1/2.7"
FOCAL LENGTH	3.2mm
F.O.V.(OV2710)	144.5°(D)
	116°(H)
	60°(V)
RESOLUTION	4 MegaPixel
DISTORTION	<-43%
APERTURE	F2.0
MOUNT	M12X0.5
IRIS	Fixed
FOCUS	Manual
ZOOM	Fixed
T.T.L.	15.71mm
CONSTRUCTION	6G+IRF



SCALE		DRAWN		MODEL	CCL127032MPF	REV	DESCRIPTION	DATE	NAME
DATE		CHECK		 香港致远电子集团有限公司 HONGKONG TOWIN ELECTRONICS CO.,LTD.		①			
UNIT	mm	APPROVE				②			
						③			