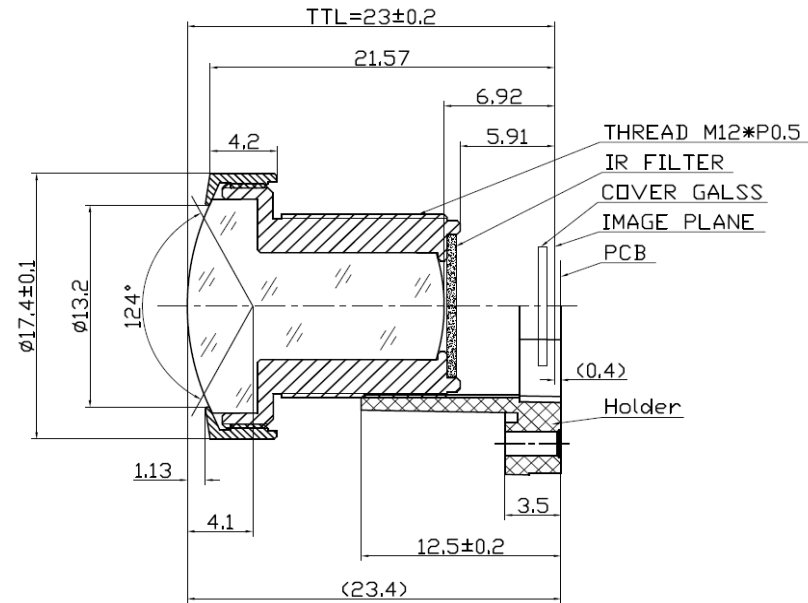


SPECIFICATION

IMAGE FORMAT	1/2.7"
FOCAL LENGTH	3.2mm
F.O.V.(OV2710)	124°(D)
	106°(H)
	60°(V)
RESOLUTION	2 MegaPixel
TV DISTORTION	<-10%
APERTURE	F1.8
MOUNT	M12X0.5
IRIS	Fixed
FOCUS	Manual
ZOOM	Fixed
T.T.L.	23.4mm
CONSTRUCTION	6G



SCALE		DRAWN		MODEL	CCL12703218MP	REV	DESCRIPTION	DATE	NAME
DATE		CHECK		 香港致远电子集团有限公司 HONGKONG TOWIN ELECTRONICS CO.,LTD.		①			
UNIT	mm	APPROVE				②			
						③			