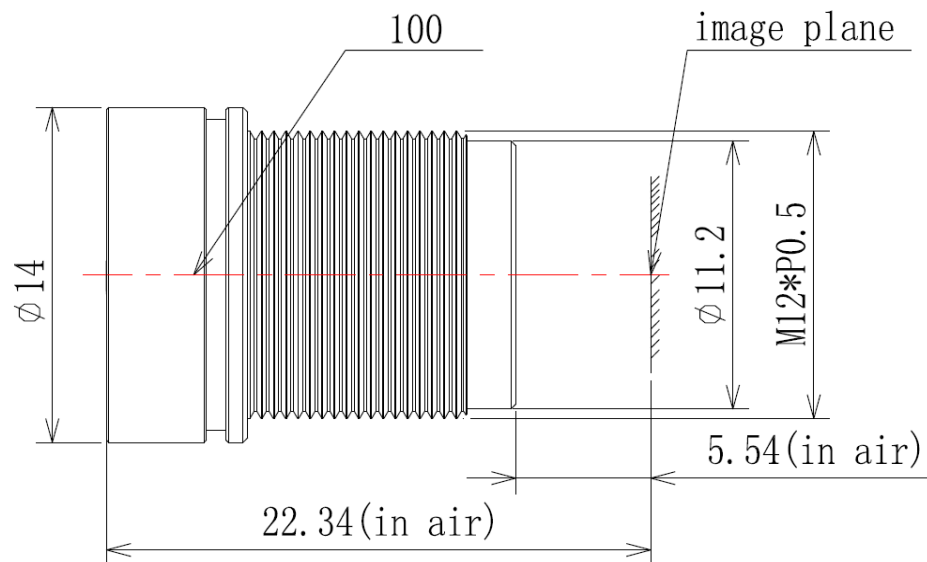


# SPECIFICATION

IMAGE FORMAT	1/2.7"
FOCAL LENGTH	3.1mm
F.O.V.(OV2710)	133°(D)
	111°(H)
	60°(V)
RESOLUTION	2MP(1920×1080)
TV DISTORTION	<-14%
APERTURE	F1.6
MOUNT	M12X0.5
IRIS	Fixed
FOCUS	Manual
ZOOM	Fixed
T.T.L.	22.34mm
CONSTRUCTION	2G5P
FOV point	2.29mm



SCALE		DRAWN		MODEL	<b>CCL127031MP</b>	REV	DESCRIPTION	DATE	NAME
DATE		CHECK		 香港致远电子集团有限公司 HONGKONG TOWIN ELECTRONICS CO.,LTD.		①			
UNIT	mm	APPROVE				②			
						③			