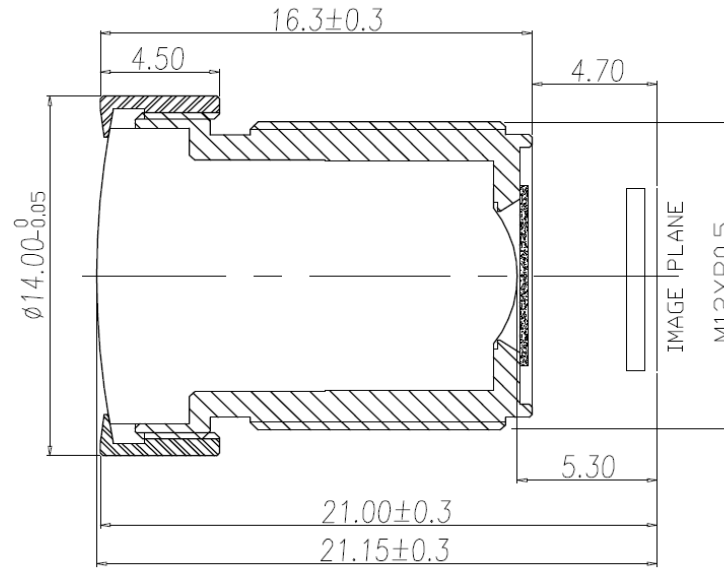


SPECIFICATION

IMAGE FORMAT	1/2.7"
FOCAL LENGTH	3.0mm
F.O.V.	150°(D)
	124°(H)
	65°(V)
RESOLUTION	2Megapixel
APERTURE	F2.2
MOUNT	M12X0.5
IRIS	Fixed
FOCUS	Manual
ZOOM	Fixed
B.F.L.	5.3mm
M.O.D.	0.3m
CONSTRUCTION	2G3P+IR cut



SCALE		DRAWN		MODEL	CCL127030MPF	REV	DESCRIPTION	DATE	NAME
DATE		CHECK		 香港致远电子集团有限公司 HONGKONG TOWIN ELECTRONICS CO.,LTD.		①			
UNIT	mm	APPROVE				②			
						③			