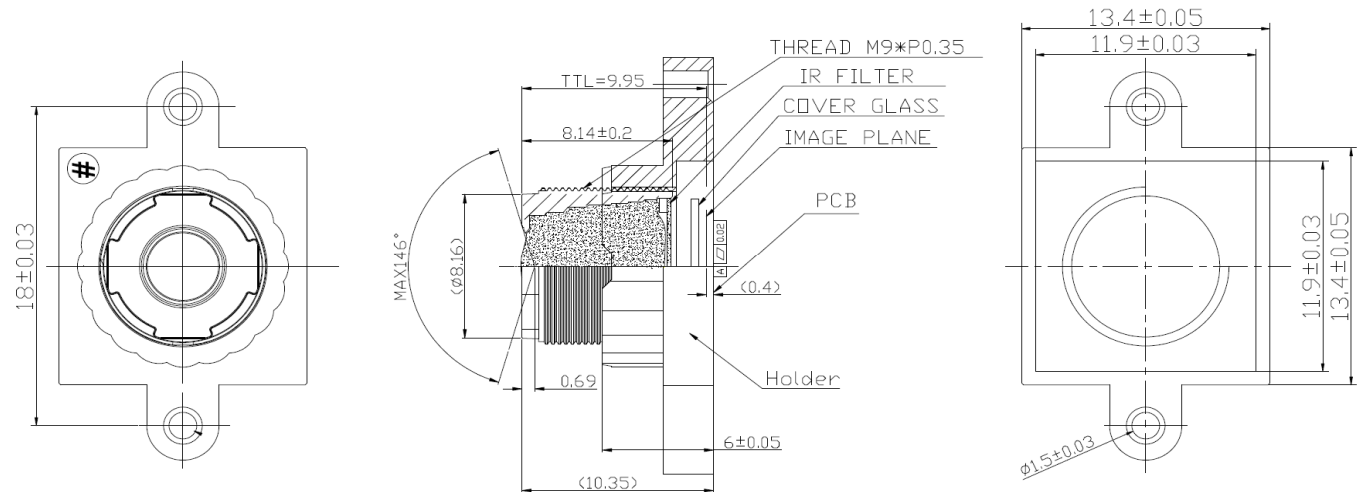


# SPECIFICATION

IMAGE FORMAT	1/2.7"
FOCAL LENGTH	2.7 mm
F.O.V.	122°(D)
	102°(H)
	62°(V)
RESOLUTION	2 MP
TV DISTORTION	<-12%
APERTURE	F2.4
MOUNT	M9xP0.35
IRIS	Fixed
B.F.L.	2.2mm
T.T.L.	9.95mm
COMPONENT	6E+850nm filter



SCALE	4:1	DRAWN		MODEL	<b>CCL127027MP</b>	REV	DESCRIPTION	DATE	NAME
DATE		CHECK		 香港致远电子集团有限公司 HONGKONG TOWIN ELECTRONICS CO.,LTD.	①				
UNIT	mm	APPROVE			②				
					③				