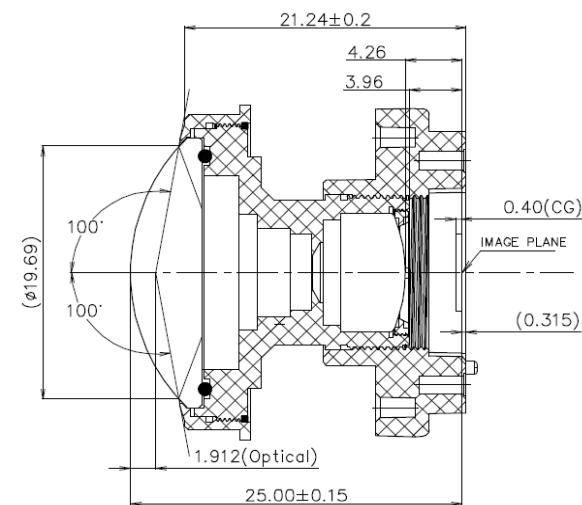
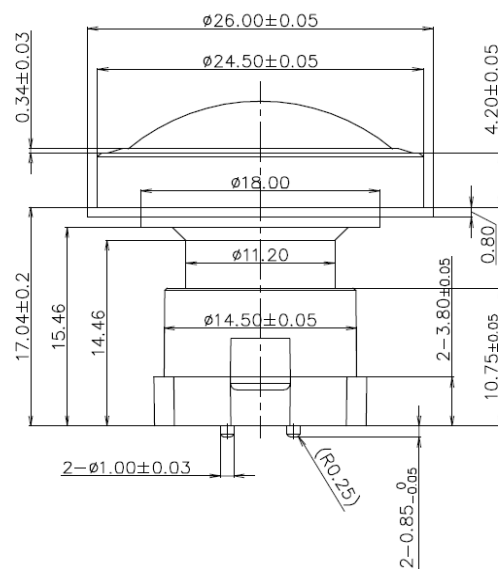


SPECIFICATION

IMAGE FORMAT	Φ5.56mm
FOCAL LENGTH	1.7mm
F.O.V.	200°(D)
	200°(H)
	200°(V)
RESOLUTION	1.3Megapixel
OPTICAL DISTORTION	<-97
APERTURE	F2.0
MOUNT	M12x0.5
IRIS	Fixed
M.O.D.	0.1m
T.T.L.	25mm
B.F.L.	4.26mm
COMPONENT	7G



SCALE	2:1	DRAWN		MODEL	CCL1256017MP	REV	DESCRIPTION	DATE	NAME
DATE		CHECK		 香港致远电子集团有限公司 HONGKONG TOWIN ELECTRONICS CO.,LTD.		①			
UNIT	mm	APPROVE				②			
						③			