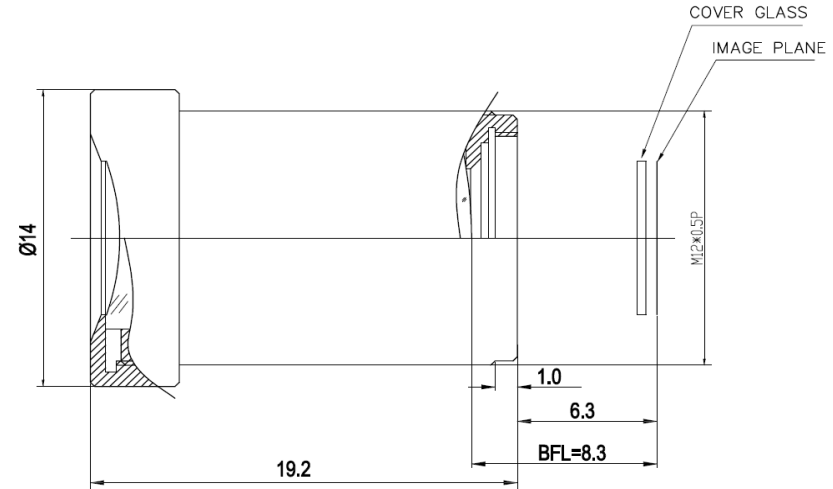


SPECIFICATION

IMAGE FORMAT	1/2.5"
FOCAL LENGTH	12mm
F.O.V.@1/2.5"	35°(D)
	27°(H)
	20°(V)
F.O.V.@1/2.7"	32°(D)
	28°(H)
	16°(V)
RESOLUTION	5Megapixel
APERTURE	F1.8
MOUNT	M12X0.5
IRIS	Fixed
FOCUS	Manual
ZOOM	Fixed
B.F.L.	8.3mm
M.O.D.	0.3m
LENS COMPONENT	6G



SCALE		DRAWN		MODEL	CCL12512MPR	REV	DESCRIPTION	DATE	NAME
DATE		CHECK		 香港致远电子集团有限公司 HONGKONG TOWIN ELECTRONICS CO.,LTD.		①			
UNIT	mm	APPROVE				②			
						③			