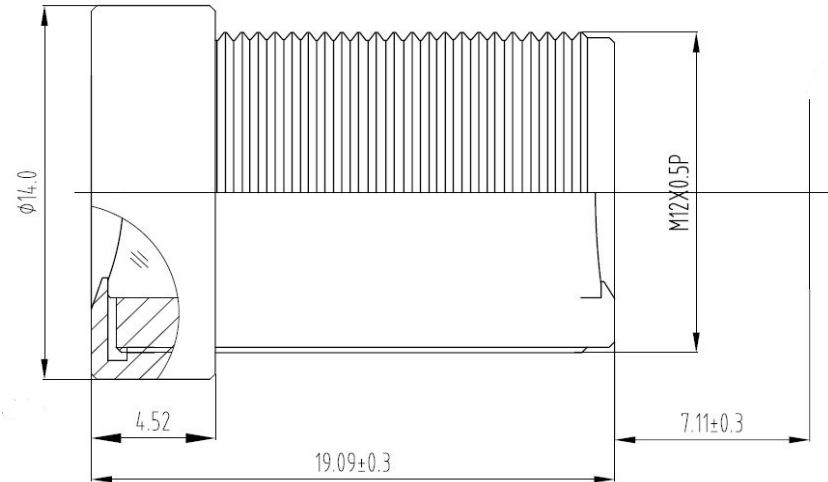


SPECIFICATION

IMAGE FORMAT	1/2.5"
FOCAL LENGTH	8mm
F.O.V.	56°(D)
	44°(H)
	33°(V)
RESOLUTION	5 MP
DISTORTION	<12.9%
APERTURE	F1.8
MOUNT(mm)	M12x0.5
IRIS	Fixed
B.F.L.	7.8mm
T.T.L.	26.20mm
DIMENSION	Φ14x19.1mm
CONSTRUCTION	6G



SCALE		DRAWN		MODEL	CCL125080MP	REV	DESCRIPTION	DATE	NAME
DATE		CHECK		 香港致远电子集团有限公司 HONGKONG TOWIN ELECTRONICS CO.,LTD.		①			
UNIT	mm	APPROVE				②			
						③			