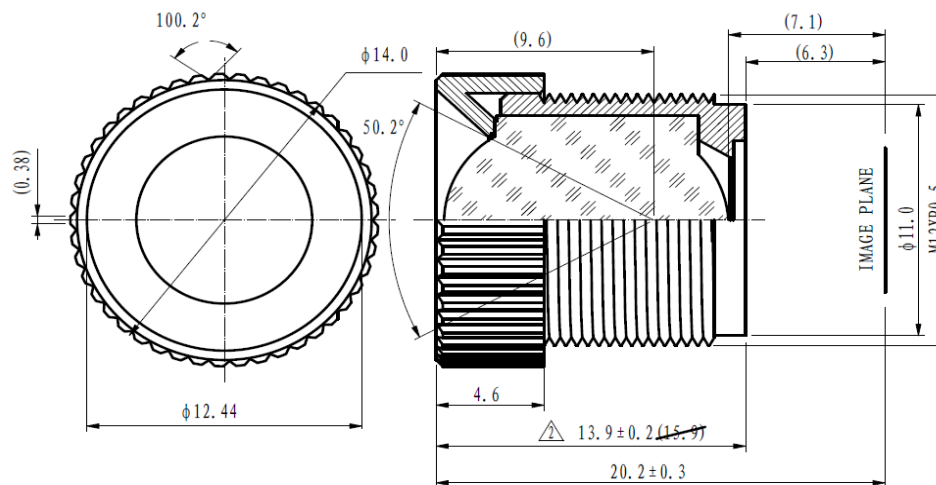


SPECIFICATION

IMAGE FORMAT	1/2.5"
FOCAL LENGTH	7.6mm
D.F.O.V.@MI5100	50.2°
D.F.O.V.@OV2630	45.6°
RESOLUTION	5 MP
TV DISTORTION	<-1.4%
APERTURE	F2.6
MOUNT	M12X0.5
IRIS	Fixed
M.O.D.	0.2m
B.F.L.	7.1mm
LENS COMPONENT	2G2P



SCALE		DRAWN		MODEL	CCL125076MP	REV	DESCRIPTION	DATE	NAME
DATE		CHECK		 香港致远电子集团有限公司 HONGKONG TOWIN ELECTRONICS CO.,LTD.		①			
UNIT	mm	APPROVE				②			
						③			