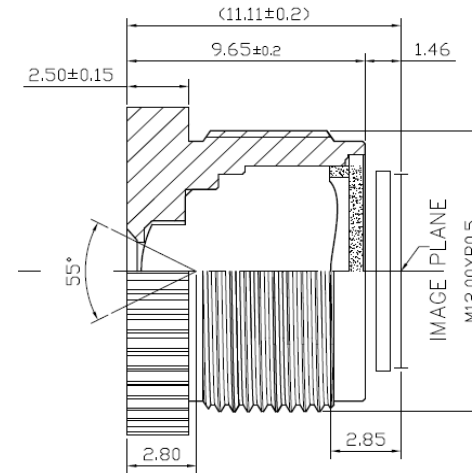


SPECIFICATION

IMAGE FORMAT	1/2.5"
FOCAL LENGTH	7.5mm
D.F.O.V.	55°
RESOLUTION	5 MP
DISTORTION	<-1.4%
APERTURE	F3.0
MOUNT	M12X0.5
IRIS	Fixed
M.O.D.	0.2m
B.F.L.	2.85mm
LENS COMPONENT	2G2P+IR cut



SCALE		DRAWN		MODEL	CCL125075MPF	REV	DESCRIPTION	DATE	NAME
DATE		CHECK		 香港致远电子集团有限公司 HONGKONG TOWIN ELECTRONICS CO.,LTD.		①			
UNIT	mm	APPROVE				②			
						③			