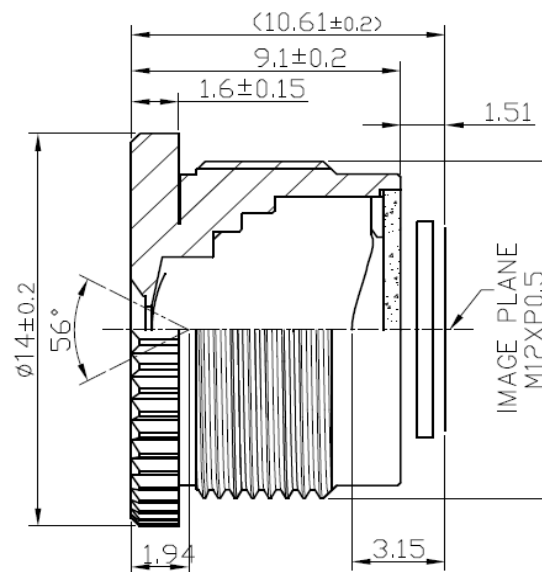


# SPECIFICATION

IMAGE FORMAT	1/2.5"
FOCAL LENGTH	6.5mm
D.F.O.V.	56°
RESOLUTION	5 MP
OPTICAL DISTORTION	<-0.1%
APERTURE	F4.0
MOUNT	M12x0.5
IRIS	Fixed
M.B.F.L.	1.51mm
M.O.D.	0.1m
T.T.L.	10.61mm
DIMENSION	Φ14x9mm
LENS COMPONENT	2G2P+IR cut



SCALE		DRAWN		MODEL	<b>CCL125065MPF</b>	REV	DESCRIPTION	DATE	NAME
DATE		CHECK		 香港致远电子集团有限公司 HONGKONG TOWIN ELECTRONICS CO.,LTD.		①			
UNIT	mm	APPROVE				②			
						③			