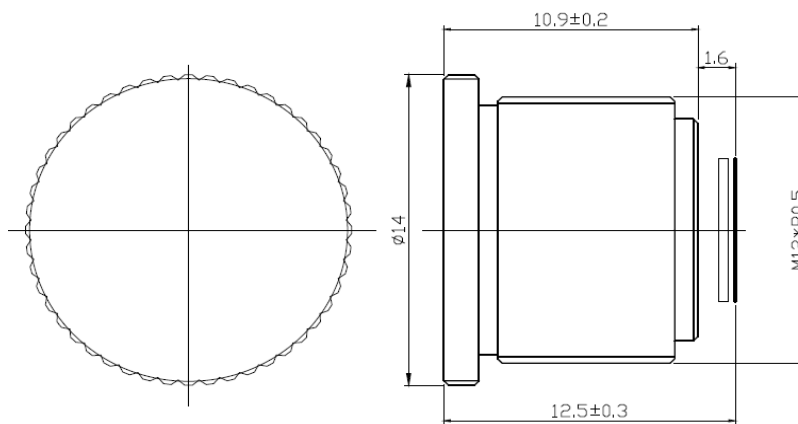


SPECIFICATION

IMAGE FORMAT	1/2.5"
FOCAL LENGTH	6.2mm
H.F.O.V.	49°
RESOLUTION	5 MP
OPTICAL DISTORTION	<0.8%
APERTURE	F4.2
MOUNT	M12x0.5
IRIS	Fixed
M.B.F.L.	1.6mm
M.O.D.	0.1m
T.T.L.	12.2mm
DIMENSION	Φ14x10.9mm
LENS COMPONENT	5E+IR cut



SCALE		DRAWN		MODEL	CCL125062MPF	REV	DESCRIPTION	DATE	NAME
DATE		CHECK		 香港致远电子集团有限公司 HONGKONG TOWIN ELECTRONICS CO.,LTD.		①			
UNIT	mm	APPROVE				②			
						③			