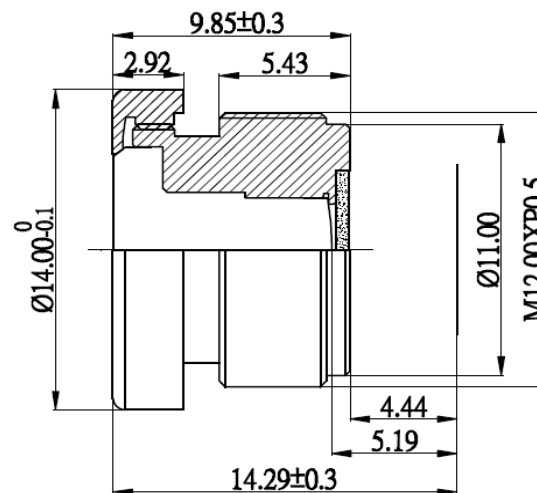


SPECIFICATION

IMAGE FORMAT	1/2.5"
FOCAL LENGTH	3.6mm
F.O.V.	140°(D)
	100°(H)
	65°(V)
RESOLUTION	5 MegaPixel
TV DISTORTION	<-18%
APERTURE	F2.8
MOUNT	M12X0.5
IRIS	Fixed
FOCUS	Manual
ZOOM	Fixed
T.T.L.	14.29mm
LENS COMPONENT	5G+IR filter



SCALE		DRAWN		MODEL	CCL125036MPFS	REV	DESCRIPTION	DATE	NAME
DATE		CHECK		 香港致远电子集团有限公司 HONGKONG TOWIN ELECTRONICS CO.,LTD.		①			
UNIT	mm	APPROVE				②			
						③			