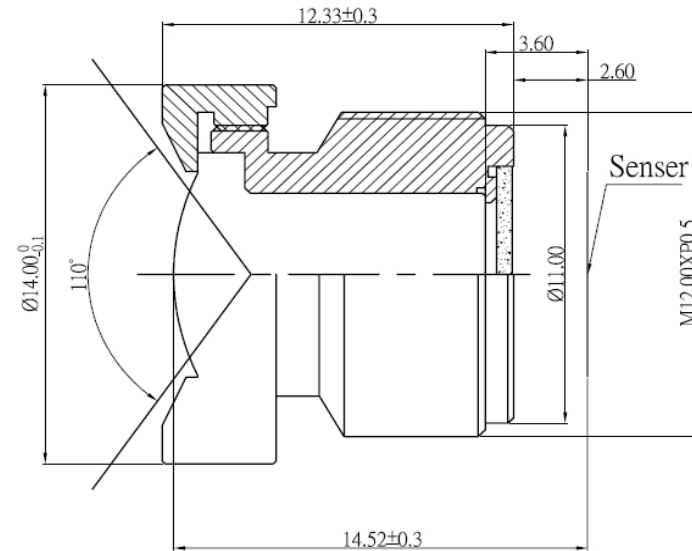


SPECIFICATION

IMAGE FORMAT	1/2.5"
FOCAL LENGTH	3mm
F.O.V.	110°(D)
	95°(H)
	74°(V)
RESOLUTION	5 MP
OPTICAL DISTORTION	<-18%
APERTURE	F2.5
MOUNT	M12x0.5
IRIS	Fixed
M.O.D.	0.1m
DIMENSION	Φ14x12.33mm
LENS COMPONENT	2G+2P+IR



SCALE		DRAWN		MODEL	CCL125030MPF	REV	DESCRIPTION	DATE	NAME
DATE		CHECK		 香港致远电子集团有限公司 HONGKONG TOWIN ELECTRONICS CO.,LTD.	①				
UNIT	mm	APPROVE			②				
					③				