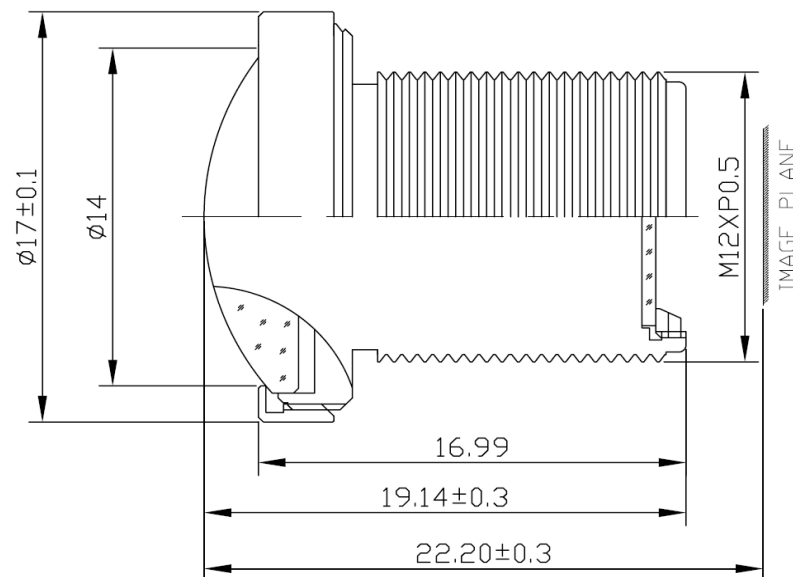


SPECIFICATION

IMAGE FORMAT	1/2.5"
FOCAL LENGTH	2.6mm
F.O.V.	166°(D)
	132°(H)
	99°(V)
RESOLUTION	5 MP
DISTORTION	<-83%
APERTURE	F2.4
MOUNT	M12x0.5
IRIS	Fixed
M.O.D.	0.2m
T.T.L.	22.20mm
DIMENSION	Φ17x19.14mm
STRUCTURE	7G+IRF



SCALE	3:1	DRAWN		MODEL	CCL125026MPF	REV	DESCRIPTION	DATE	NAME
DATE		CHECK		 香港致远电子集团有限公司 HONGKONG TOWIN ELECTRONICS CO.,LTD.	①				
UNIT	mm	APPROVE			②				
					③				