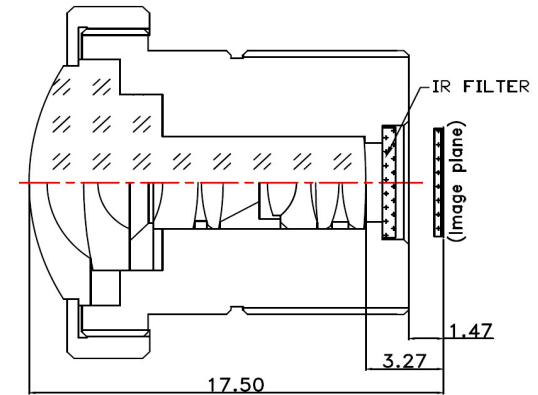
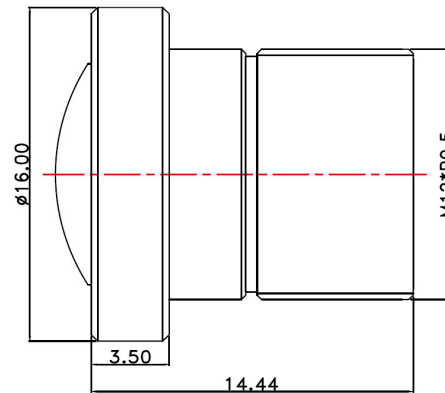


SPECIFICATION

IMAGE FORMAT	Φ3.8mm
FOCAL LENGTH	1.3mm
F.O.V.(1/2.5")	200°(D)
	200°(H)
	200°(V)
RESOLUTION	Megapixel
OPTICAL DISTORTION	<-138%
APERTURE	F2.4
MOUNT	M12x0.5
IRIS	Fixed
M.O.D.	0.1m
T.T.L.	17.50mm
B.F.L.	3.27mm
CONSTRUCTION	8G+IR cut



SCALE		DRAWN		MODEL	CCL125013MPF	REV	DESCRIPTION	DATE	NAME
DATE		CHECK		 香港致远电子集团有限公司 HONGKONG TOWIN ELECTRONICS CO.,LTD.		①			
UNIT	mm	APPROVE				②			
						③			