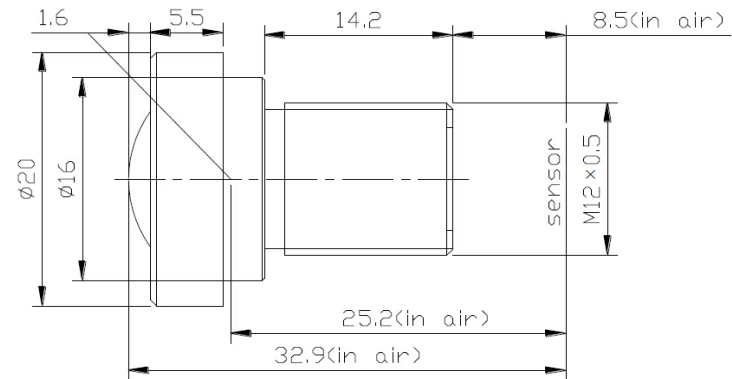


SPECIFICATION

IMAGE FORMAT	1/2.3"
FOCAL LENGTH	4.9mm
F.O.V.	90°(D)
	73°(H)
	61°(V)
RESOLUTION	10 MP
DISTORTION	<-19%
APERTURE	F2.2
MOUNT	M12x0.5
IRIS	Fixed
M.O.D.	0.3m
T.T.L.	32.9mm
DIMENSION	Φ20x24.4mm
IR	Corrected



SCALE	4:1	DRAWN		MODEL	CCL123049MP	REV	DESCRIPTION	DATE	NAME
DATE		CHECK		 香港致远电子集团有限公司 HONGKONG TOWIN ELECTRONICS CO.,LTD.	①				
UNIT	mm	APPROVE			②				
					③				