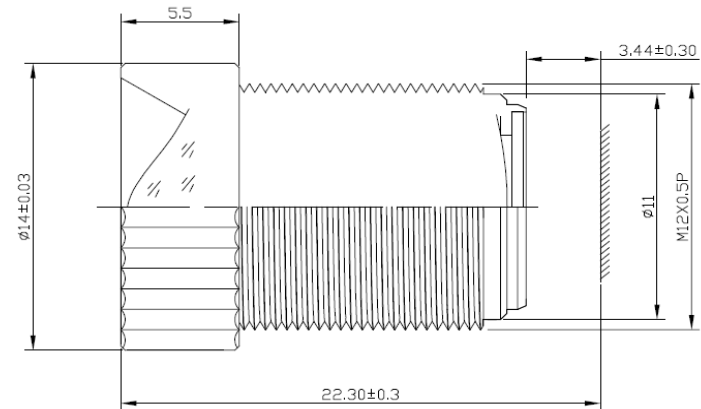


## SPECIFICATION

IMAGE FORMAT	1/2.3"
FOCAL LENGTH	4.6mm
F.O.V.	82°(D)
	71°(H)
	58°(V)
RESOLUTION	10 MP
DISTORTION	<0.5%
APERTURE	F4.5
MOUNT	M12x0.5
IRIS	Fixed
M.O.D.	0.2m
T.T.L.	22.3mm
DIMENSION	Φ14x18.8mm
LENS COMPONENT	3G2P



SCALE		DRAWN		MODEL	<b>CCL123046MP</b>	REV	DESCRIPTION	DATE	NAME
DATE		CHECK		 香港致远电子集团有限公司 HONGKONG TOWIN ELECTRONICS CO.,LTD.		①			
UNIT	mm	APPROVE				②			
						③			