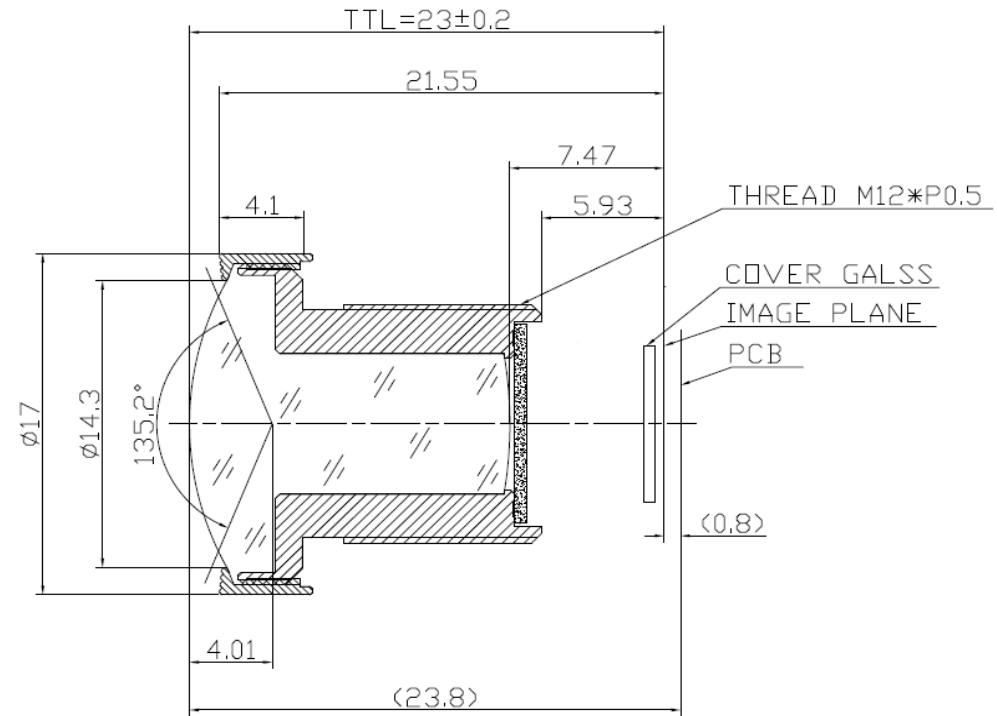


SPECIFICATION

IMAGE FORMAT	1/2.3"
FOCAL LENGTH	4mm
F.O.V.	118°(D)
	93°(H)
	69° (V)
RESOLUTION	12 MP
APERTURE	F2.8
DISTORTION	<-35%
MOUNT	M12
IRIS	Fixed
FOCUS	Manual
ZOOM	Fixed
B.F.L.	7.47mm
IR	6G+IR cut filter



SCALE		DRAWN		MODEL	CCL1230428MPF	REV	DESCRIPTION	DATE	NAME
DATE		CHECK		 香港致远电子集团有限公司 HONGKONG TOWIN ELECTRONICS CO.,LTD.		①			
UNIT	mm	APPROVE				②			
						③			