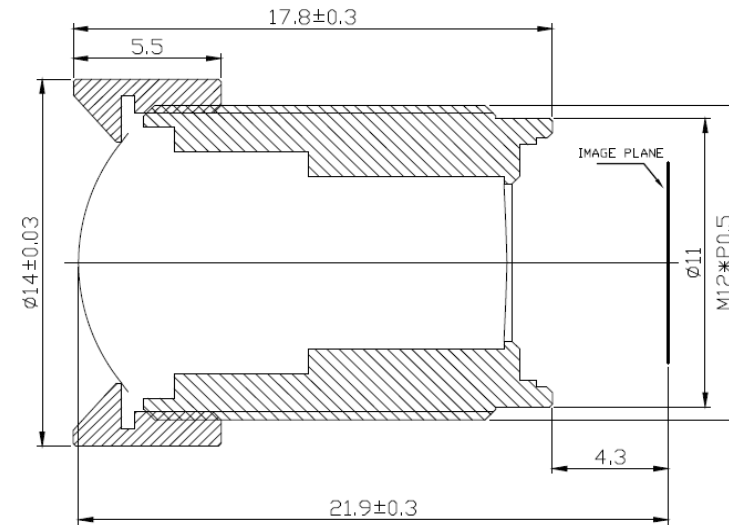


# SPECIFICATION

IMAGE FORMAT	1/2.3"
FOCAL LENGTH	4.1mm
F.O.V.	88°(D)
	75°(H)
	60°(V)
RESOLUTION	8 MP
DISTORTION	<-0.4%
APERTURE	F4.0
MOUNT	M12x0.5
IRIS	Fixed
M.O.D.	0.1m
T.T.L.	21.9mm
DIMENSION	Φ14x17.8mm
CONSTRUCTION	3G2P+IRF



SCALE	4:1	DRAWN		MODEL	<b>CCL123041MPF</b>	REV	DESCRIPTION	DATE	NAME
DATE		CHECK		 香港致远电子集团有限公司 HONGKONG TOWIN ELECTRONICS CO.,LTD.	①				
UNIT	mm	APPROVE			②				
					③				