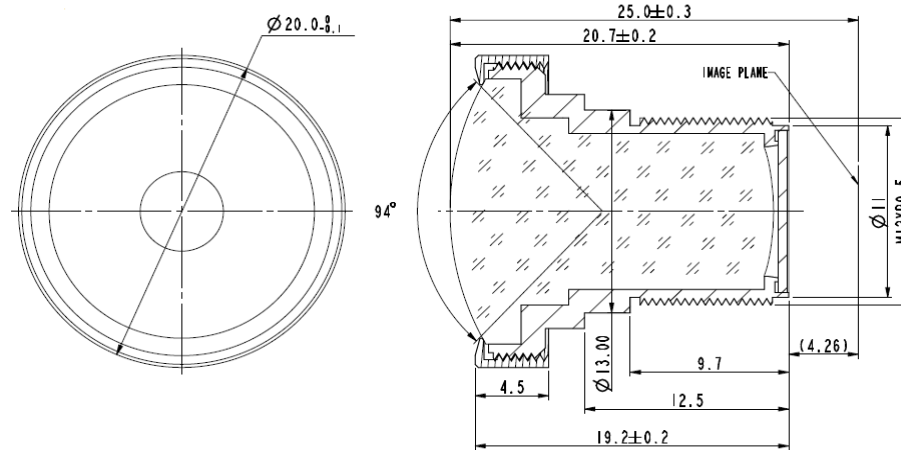


SPECIFICATION

IMAGE FORMAT	1/2.3"
FOCAL LENGTH	3.65mm
F.O.V.	94°(D)
	82°(H)
	69°(V)
RESOLUTION	12.5MP
TV DISTORTION	<0.5%
APERTURE	F2.8
MOUNT	M12x0.5
IRIS	Fixed
M.O.D.	0.1m
T.T.L.	25mm
CONSTRUCTION	6E+IRF



SCALE		DRAWN		MODEL	CCL123036MPFR	REV	DESCRIPTION	DATE	NAME
DATE		CHECK		 香港致远电子集团有限公司 HONGKONG TOWIN ELECTRONICS CO.,LTD.		①			
UNIT	mm	APPROVE				②			
						③			