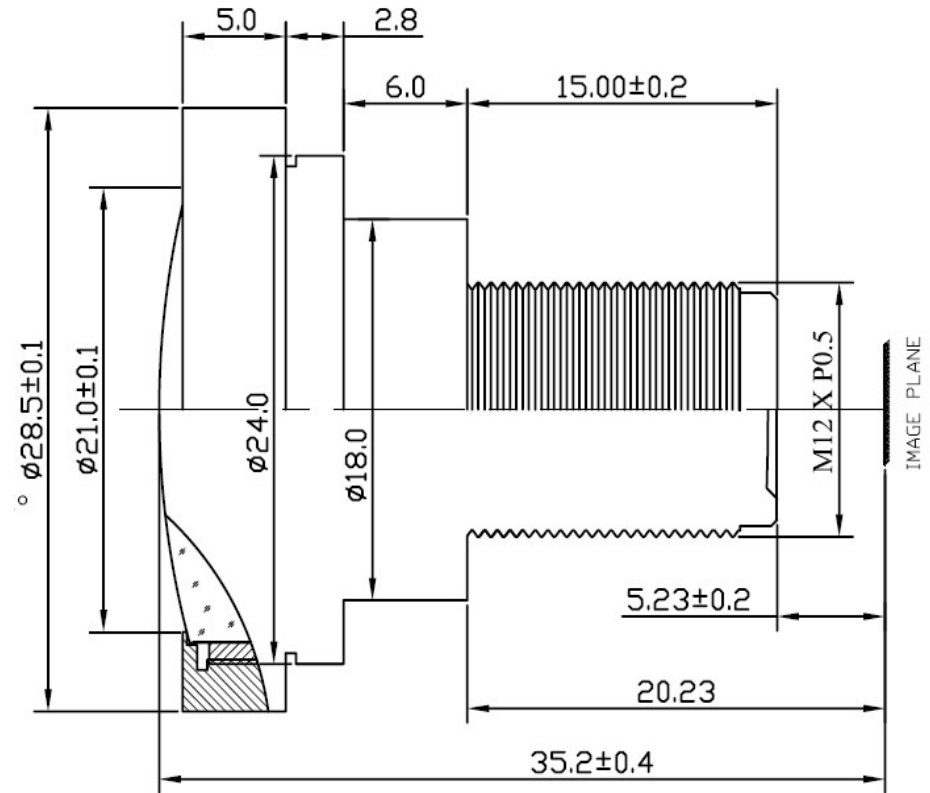


# SPECIFICATION

IMAGE FORMAT	1/2.3"
FOCAL LENGTH	1.9mm
F.O.V.	185°(D)
	185°(H)
	185°(V)
RESOLUTION	9MP
F-THETA DISTORTION	<-23%
APERTURE	F2.2
MOUNT	M12x0.5
IRIS	Fixed
M.O.D.	0.1m
T.T.L.	35.2mm
B.F.L.	5.60mm
CONSTRUCTION	9G
IR	Corrected



SCALE	2:1	DRAWN		MODEL	CCL123019MP	REV	DESCRIPTION	DATE	NAME
DATE		CHECK		 香港致远电子集团有限公司 HONGKONG TOWIN ELECTRONICS CO.,LTD.		①			
UNIT	mm	APPROVE				②			
						③			