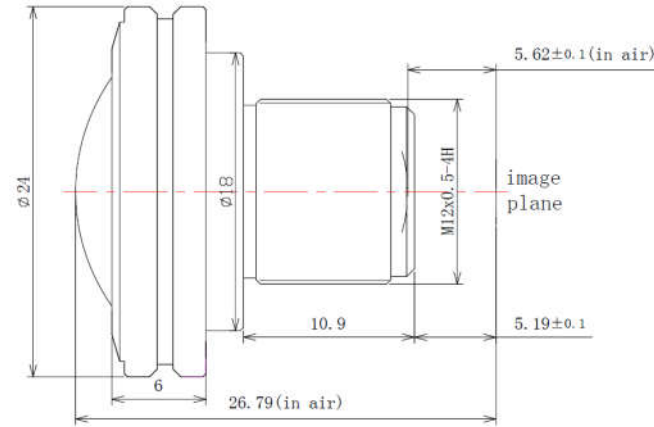


SPECIFICATION

IMAGE FORMAT	Φ4.2mm
FOCAL LENGTH	1.5mm
F.O.V.	190°(D)
	190°(H)
	190°(V)
RESOLUTION	14 Megapixel
OPTICAL DISTORTION	<-99%
APERTURE	F1.8
MOUNT	M12x0.5
IRIS	Fixed
M.O.D.	0.1m
T.T.L.	26.79mm
B.F.L.	5.62mm
COMPONENT	9G



SCALE	2:1	DRAWN		MODEL	CCL12301518MP	REV	DESCRIPTION	DATE	NAME
DATE		CHECK		 香港致远电子集团有限公司 HONGKONG TOWIN ELECTRONICS CO.,LTD.	①				
UNIT	mm	APPROVE			②				
					③				