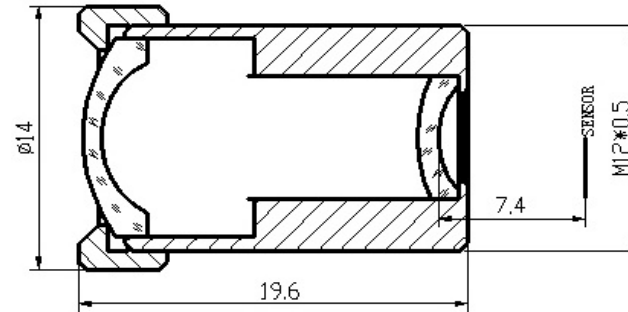


SPECIFICATION

IMAGE FORMAT	1/2"
FOCAL LENGTH	8.8mm
F.O.V.	50°(D)
	40°(H)
	31°(V)
RESOLUTION	3 MP
DISTORTION	<0.29%
APERTURE	F2.0
MOUNT(mm)	M12x0.5
IRIS	Fixed
B.F.L.	7.4mm
T.T.L.	25.20mm
DIMENSION	Φ14x19.6mm
LENS COMPONENT	6G



SCALE		DRAWN		MODEL	CCL12088MP	REV	DESCRIPTION	DATE	NAME
DATE		CHECK		 香港致远电子集团有限公司 HONGKONG TOWIN ELECTRONICS CO.,LTD.	①				
UNIT	mm	APPROVE			②				
					③				