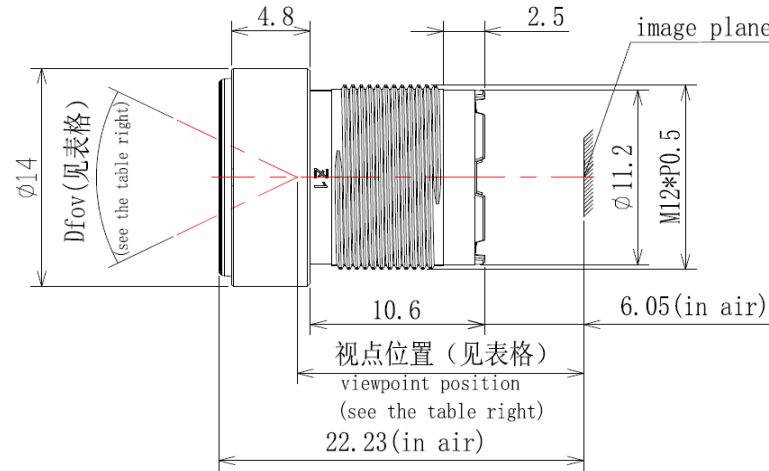


SPECIFICATION

IMAGE FORMAT	1/2.7"
FOCAL LENGTH	3.3mm
F.O.V. (OV2710)	125°
	105°
	56°
RESOLUTION	2 MP
DISTORTION	48%
APERTURE	F2.0
MOUNT	M12x0.5
IRIS	Fixed
M.O.D.	0.1m
T.T.L.	22.23mm
STRUCTURE	1G4P



像面大小 (image size)	Dfov	视点位置 (mm) viewpoint position
(1/2.7"以下sensor) (sensor format<1/2.7")	Φ4.41	78.13°
	Φ5.60	101.98°
	Φ6.00	110.69°
	Φ6.17	114.55°
	Φ6.39	119.72°
	Φ6.61	125.12°
	Φ7.00	135.41°

SCALE		DRAWN		MODEL	S03312710520	REV	DESCRIPTION	DATE	NAME
DATE		CHECK		 香港致远电子集团有限公司 HONGKONG TOWIN ELECTRONICS CO.,LTD.		①			
UNIT	mm	APPROVE				②			
						③			