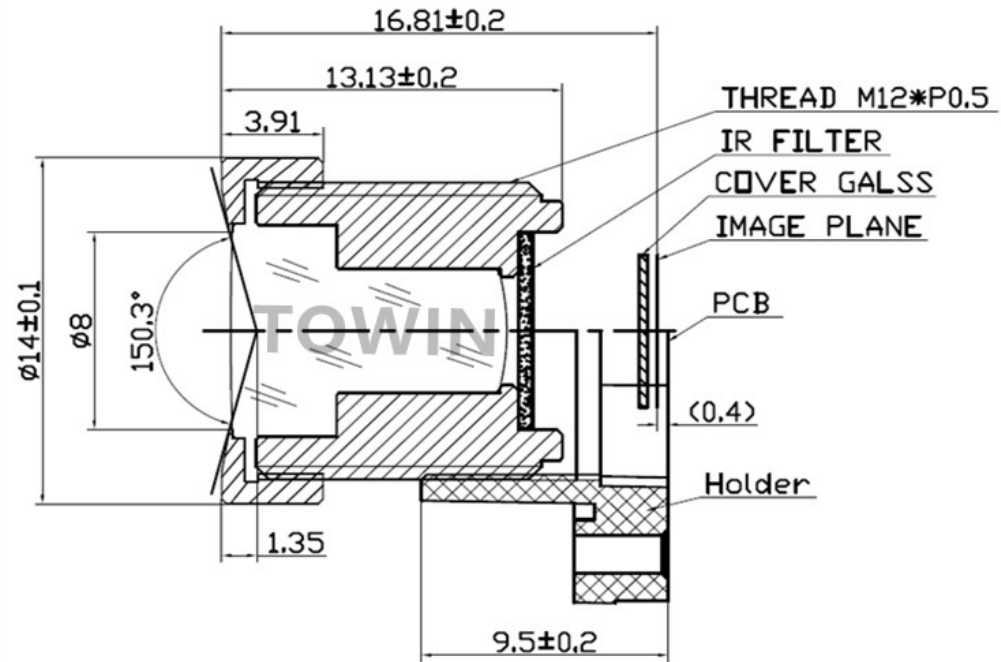


# SPECIFICATION

IMAGE FORMAT	1/3"
FOCAL LENGTH	3.2mm
F.O.V.(AR0130)	126°(D)
	93°(H)
	67°(V)
RESOLUTION	3 MegaPixel
DISTORTION	<29%
APERTURE	F2.2
MOUNT	M12X0.5
IRIS	Fixed
FOCUS	Manual
ZOOM	Fixed
T.T.L.	16.81mm
CONSTRUCTION	5G+IRF



SCALE		DRAWN		MODEL	<b>S03213009322F</b>	REV	DESCRIPTION	DATE	NAME
DATE		CHECK		 香港致远电子集团有限公司 HONGKONG TOWIN ELECTRONICS CO.,LTD.	①				
UNIT	mm	APPROVE			②				
					③				