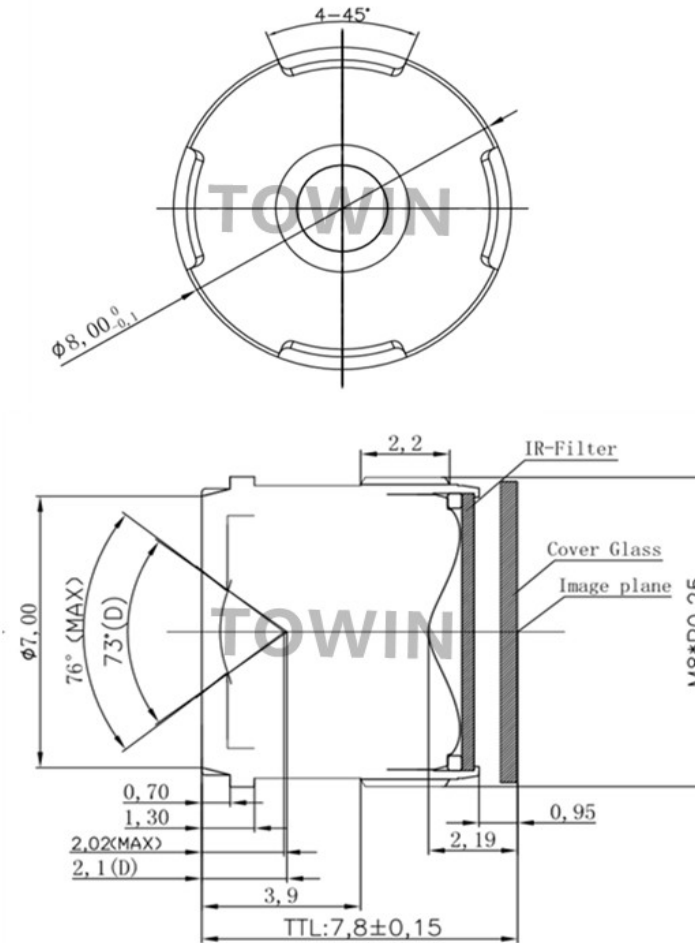


SPECIFICATION

IMAGE FORMAT	1/2.7"
FOCAL LENGTH	4.3mm
F.O.V.	73°(D)
	65°(H)
	40°(V)
RESOLUTION	2MP
DISTORTION	0.5%
APERTURE	F2.0
MOUNT	M8X0.25
IRIS	Fixed
M.O.D.	0.1m
B.F.L.	1.45mm
CONSTRUCTION	4P+IRF



SCALE		DRAWN		MODEL	M804312706520F	REV	DESCRIPTION	DATE	NAME
DATE		CHECK		 香港致远电子集团有限公司 HONGKONG TOWIN ELECTRONICS CO.,LTD.		①			
UNIT	mm	APPROVE				②			
						③			