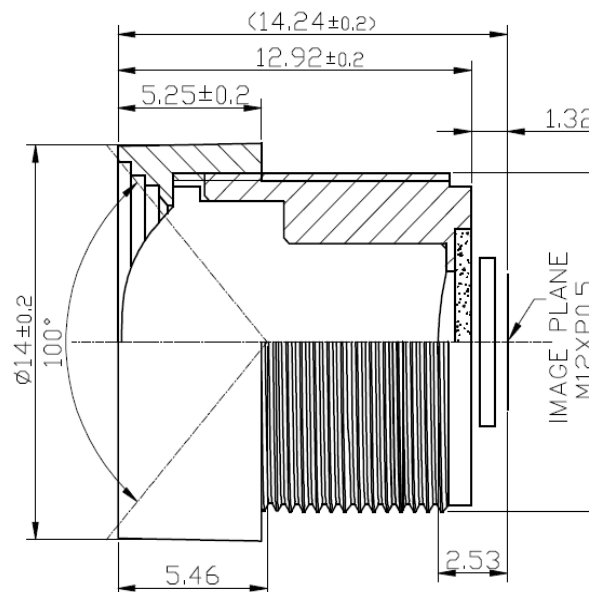


# SPECIFICATION

IMAGE FORMAT	1/4"
FOCAL LENGTH	2.0mm
F.O.V.	95°(D)
	83°(H)
	66°(V)
RESOLUTION	5 MP
TV DISTORTION	<-2%
APERTURE	F2.2
MOUNT	M12x0.5
IRIS	Fixed
M.O.D.	0.1m
T.T.L.	14.21mm
DIMENSION	Φ14x12.87mm
LENS COMPONENT	2G2P



SCALE	4:1	DRAWN		MODEL	<b>CCL14020MP</b>	REV	DESCRIPTION	DATE	NAME
DATE		CHECK		 香港致远电子集团有限公司 HONGKONG TOWIN ELECTRONICS CO.,LTD.	①				
UNIT	mm	APPROVE			②				
					③				