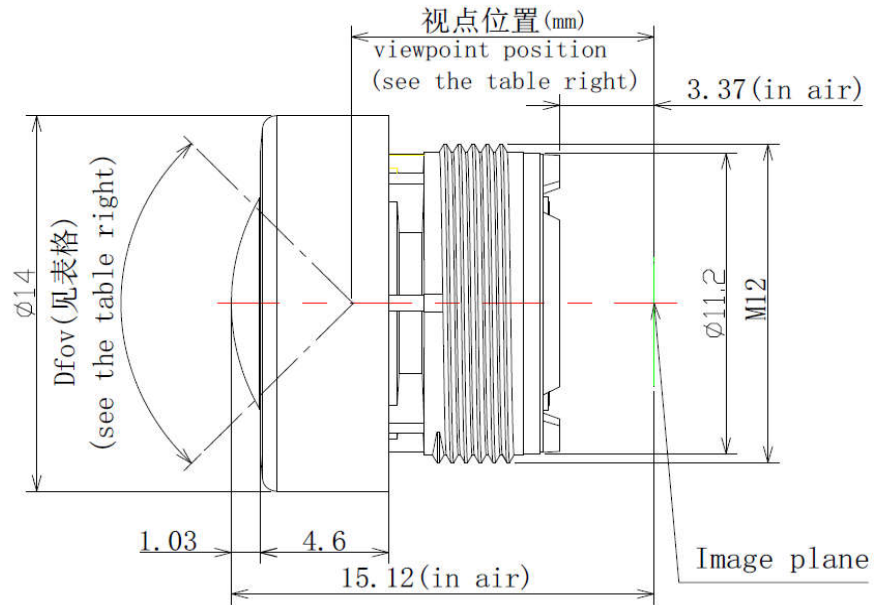


SPECIFICATION

IMAGE FORMAT	1/2.9"
FOCAL LENGTH	2.1mm
F.O.V.	161°(D)
	141°(H)
	82°(V)
RESOLUTION	4 Megapixel
DISTORTION	<-25%
APERTURE	F2.0
MOUNT	M12X0.5
IRIS	Fixed
T.T.L.	15.12mm
B.F.L.	3.72mm
M.B.F.L.	3.37mm
M.O.D.	0.3m
STRUCTURE	2G5P+IRCF



像面大小mm (image size)	Dfov	视点位置(mm) (viewpoint position)
(1/2.9"以下sensor) (sensor format<1/2.9")	3.02	81.58°
	3.22	86.84°
	3.98	106.53°
	5.38	141.48°
	5.46	143.45°
	5.70	149.35°
	6.16	160.75°

SCALE		DRAWN		MODEL	CCL129021MPF	REV	DESCRIPTION	DATE	NAME
DATE		CHECK		 香港致远电子集团有限公司 HONGKONG TOWIN ELECTRONICS CO.,LTD.		①			
UNIT	mm	APPROVE				②			
						③			