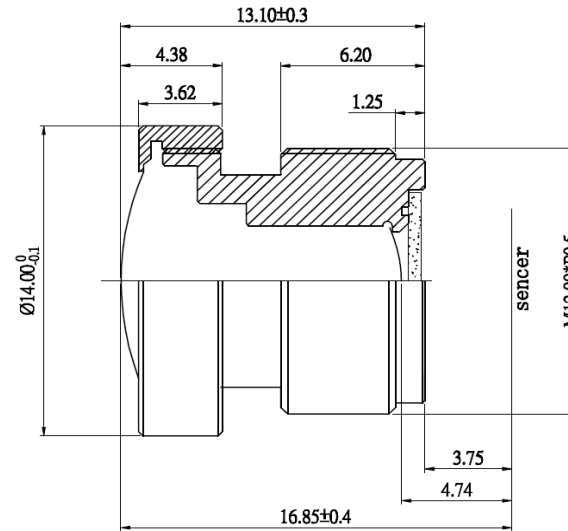


# SPECIFICATION

IMAGE FORMAT	1/2.8"
FOCAL LENGTH	2.3mm
F.O.V.(@IMX290)	175°(D)
	145°(H)
	80°(V)
TV DISTORTION	<30%
RESOLUTION	3MP
APERTURE	F2.2
MOUNT	M12X0.5
IRIS	Fixed
FOCUS	Manual
ZOOM	Fixed
B.F.L.	4.74mm
M.O.D.	0.3m
CONSTRUCTION	6G+IR cut



SCALE		DRAWN		MODEL	<b>CCL12802322MPF</b>	REV	DESCRIPTION	DATE	NAME
DATE		CHECK		 香港致远电子集团有限公司 HONGKONG TOWIN ELECTRONICS CO.,LTD.		①			
UNIT	mm	APPROVE				②			
						③			