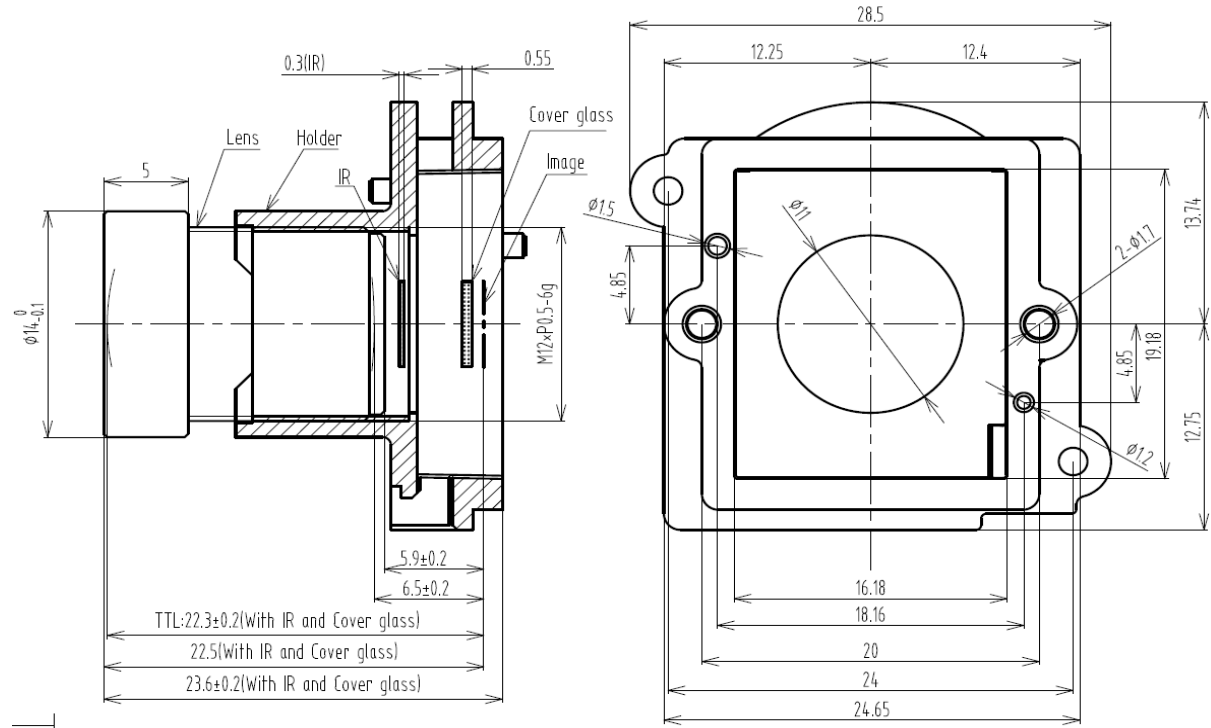


# SPECIFICATION

IMAGE FORMAT	1/2.7"
FOCAL LENGTH	4mm
F.O.V.	96°
	83°
	45°
RESOLUTION	2 MP
DISTORTION	<30%
APERTURE	F2.5
MOUNT	M12x0.5
IRIS	Fixed
M.O.D.	0.1m
T.T.L.	22.3mm
STRUCTURE	4G+IRCF



SCALE		DRAWN		MODEL	<b>S04012708325F</b>	REV	DESCRIPTION	DATE	NAME
DATE		CHECK		 香港致远电子集团有限公司 HONGKONG TOWIN ELECTRONICS CO.,LTD.	①				
UNIT	mm	APPROVE			②				
					③				