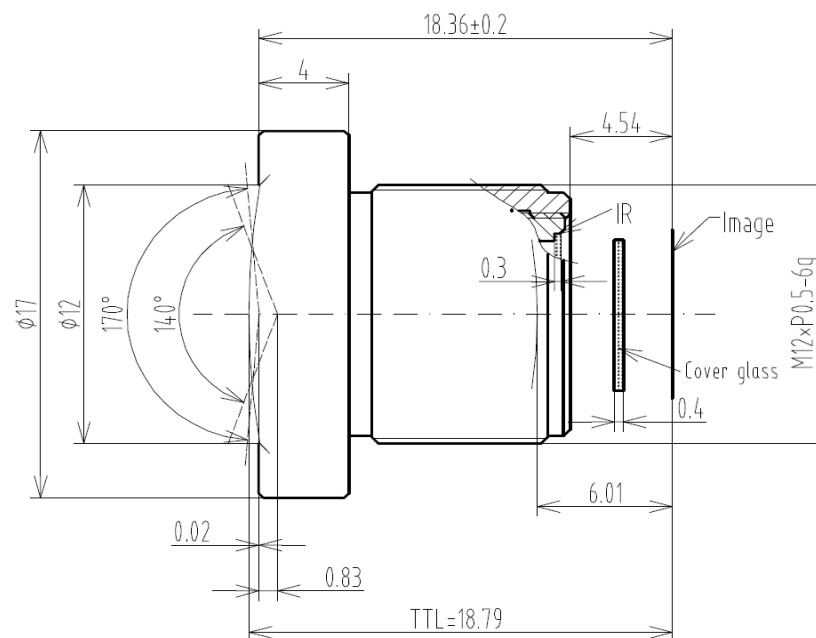


SPECIFICATION

IMAGE FORMAT	1/2.3"
FOCAL LENGTH	3.5mm
F.O.V. (IMX206)	168°(D)
	112°(H)
	79°(V)
RESOLUTION	12 MP
DISTORTION	<90%
APERTURE	F2.8
MOUNT	M12x0.5
IRIS	Fixed
M.O.D.	0.1m
T.T.L.	18.79mm
STRUCTURE	6G+IRCF



SCALE		DRAWN		MODEL	S03512311228F	REV	DESCRIPTION	DATE	NAME
DATE		CHECK		 香港致远电子集团有限公司 HONGKONG TOWIN ELECTRONICS CO.,LTD.		①			
UNIT	mm	APPROVE				②			
						③			