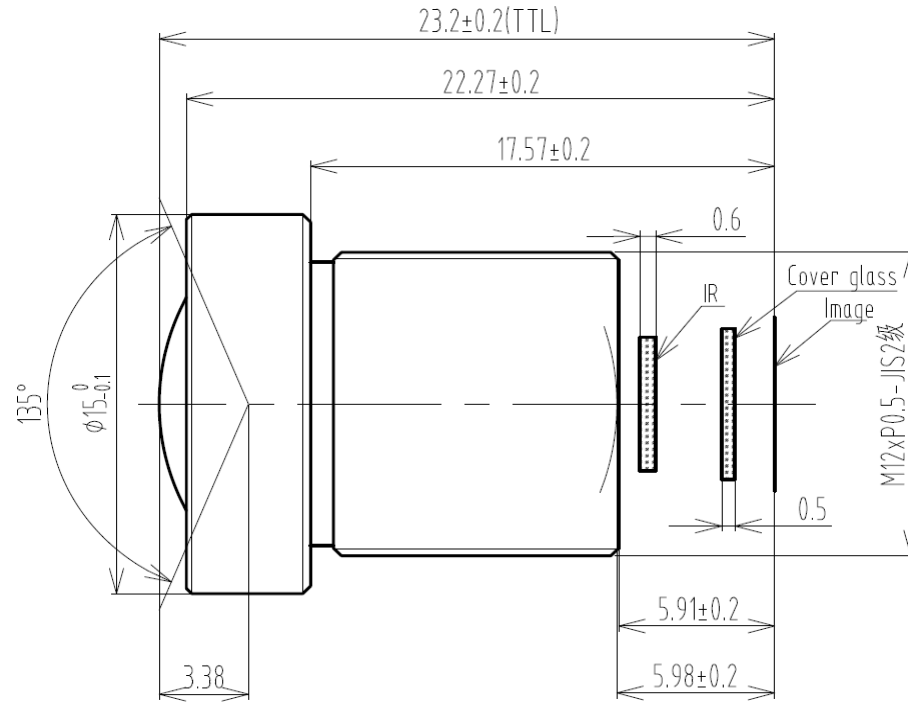


SPECIFICATION

IMAGE FORMAT	1/2.8"
FOCAL LENGTH	2.8mm
F.O.V. (IMX291)	135°
	120°
	73°
RESOLUTION	3 MP
TV DISTORTION	<-26%
APERTURE	F1.8
MOUNT	M12x0.5
IRIS	Fixed
M.O.D.	0.1m
T.T.L.	23.2mm
STRUCTURE	6G



SCALE		DRAWN		MODEL	S02812812018	REV	DESCRIPTION	DATE	NAME
DATE		CHECK		 香港致远电子集团有限公司 HONGKONG TOWIN ELECTRONICS CO.,LTD.		①			
UNIT	mm	APPROVE				②			
						③			