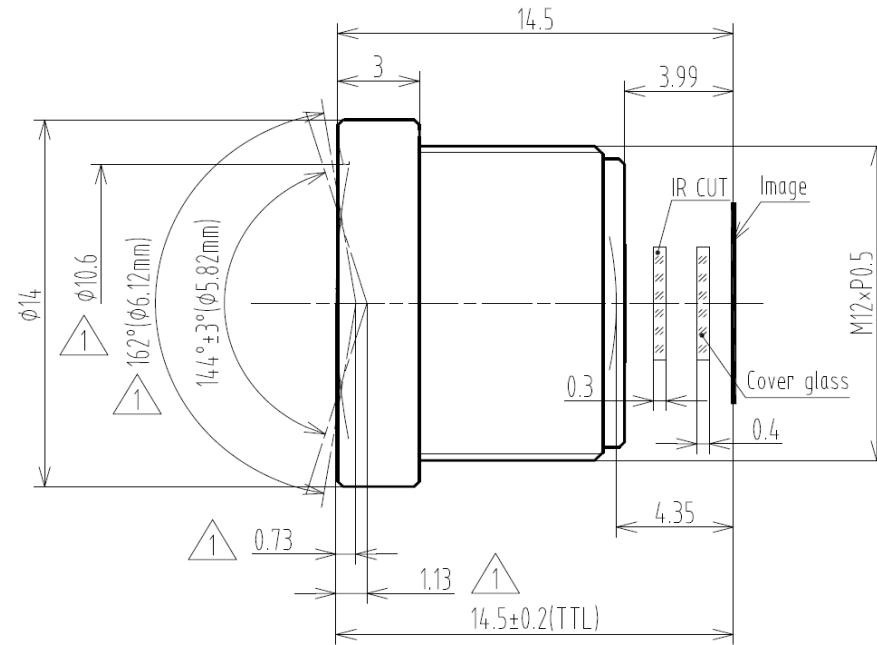


# SPECIFICATION

IMAGE FORMAT	1/3"
FOCAL LENGTH	2.7mm
F.O.V. (AR0330) (16:9)	144°
	116°
	72°
RESOLUTION	3 MP
DISTORTION	<66%
APERTURE	F2.5
MOUNT	M12x0.5
IRIS	Fixed
M.O.D.	0.1m
T.T.L.	14.5mm
STRUCTURE	5G+IRCF



SCALE		DRAWN		MODEL	<b>S02713011625F</b>	REV	DESCRIPTION	DATE	NAME
DATE		CHECK		 香港致远电子集团有限公司 HONGKONG TOWIN ELECTRONICS CO.,LTD.		①			
UNIT	mm	APPROVE				②			
						③			