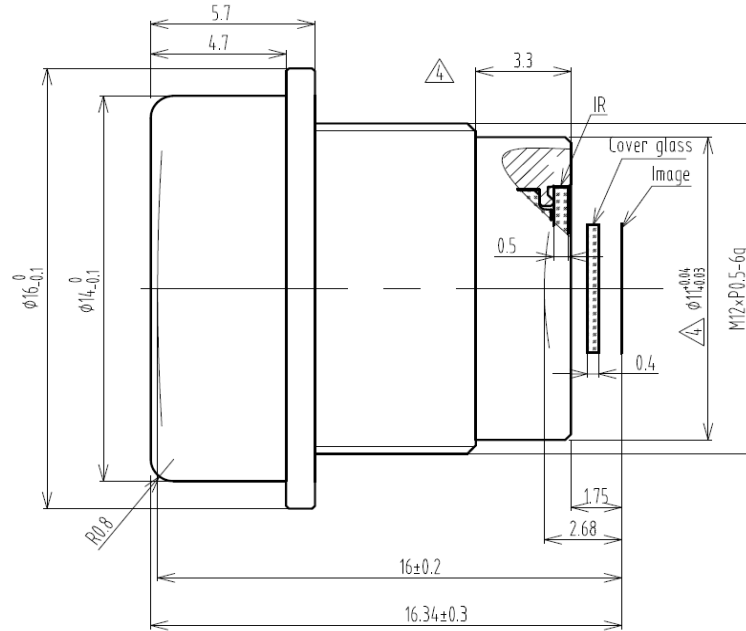


SPECIFICATION

IMAGE FORMAT	1/4"
FOCAL LENGTH	2.2mm
F.O.V.	160°
	120°
	70°
RESOLUTION	1.3 MP
DISTORTION	<81%
APERTURE	F1.8
MOUNT	M12x0.5
IRIS	Fixed
M.O.D.	0.1m
T.T.L.	16mm
STRUCTURE	4G1M+IRCF
MARK	IP67



SCALE		DRAWN		MODEL	S02214012018F	REV	DESCRIPTION	DATE	NAME
DATE		CHECK		 香港致远电子集团有限公司 HONGKONG TOWIN ELECTRONICS CO.,LTD.		①			
UNIT	mm	APPROVE				②			
						③			