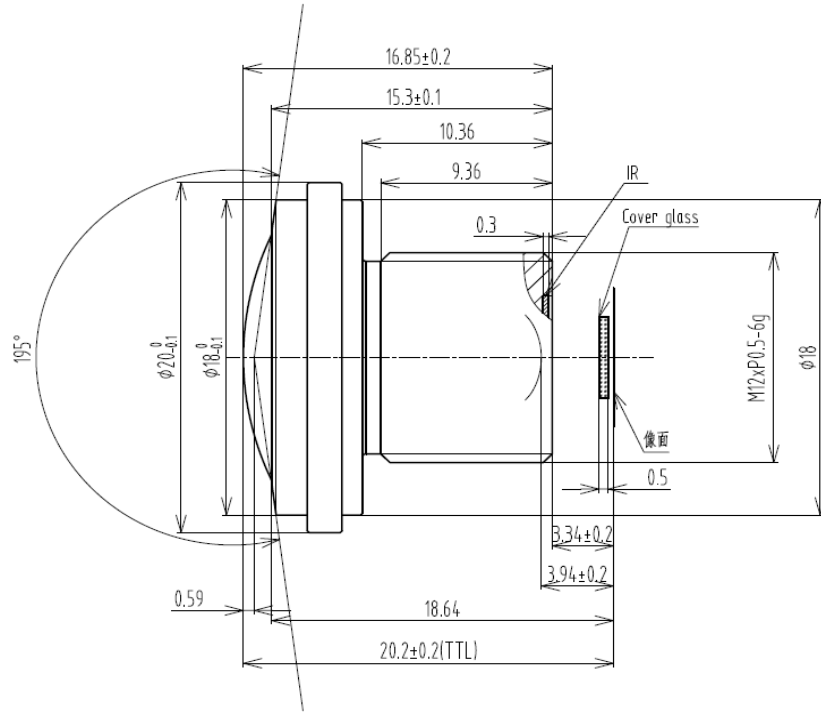


SPECIFICATION

IMAGE FORMAT	Φ4.8, 1/2.7"
FOCAL LENGTH	1.8mm
F.O.V.(OV2735)	195°
	195°
	116°
RESOLUTION	3 MP
DISTORTION	<90%
APERTURE	F2.0
MOUNT	M12x0.5
IRIS	Fixed
M.O.D.	0.1m
T.T.L.	20.2mm
STRUCTURE	5G1M+IRCF



SCALE		DRAWN		MODEL	S01812719520F	REV	DESCRIPTION	DATE	NAME
DATE		CHECK		 香港致远电子集团有限公司 HONGKONG TOWIN ELECTRONICS CO.,LTD.		①			
UNIT	mm	APPROVE				②			
						③			