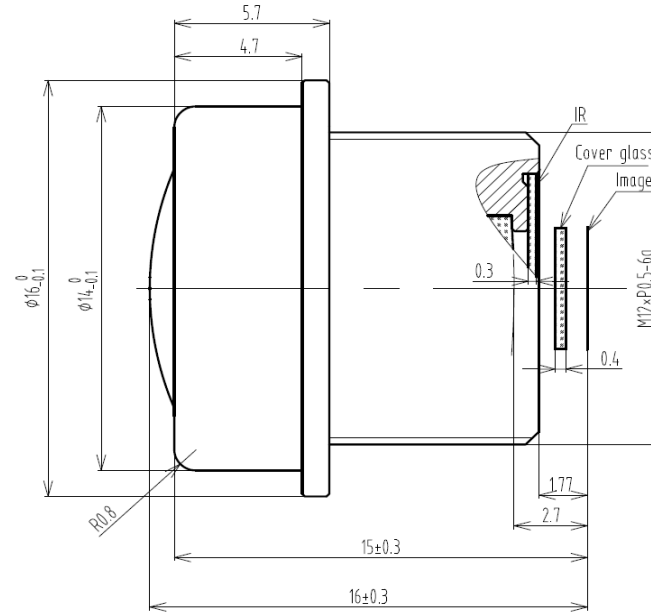


SPECIFICATION

IMAGE FORMAT	1/4"
FOCAL LENGTH	1.6mm
F.O.V.	160°
	130°
	96°
RESOLUTION	1.3 MP
DISTORTION	<76%
APERTURE	F1.8
MOUNT	M12x0.5
IRIS	Fixed
M.O.D.	0.1m
T.T.L.	16mm
STRUCTURE	6G+IRCF



SCALE		DRAWN		MODEL	S01614013018F	REV	DESCRIPTION	DATE	NAME
DATE		CHECK		 香港致远电子集团有限公司 HONGKONG TOWIN ELECTRONICS CO.,LTD.		①			
UNIT	mm	APPROVE				②			
						③			