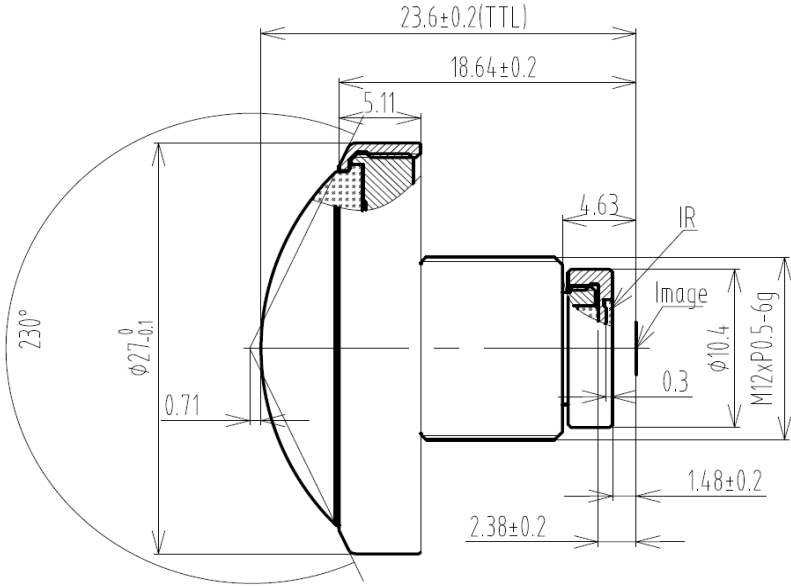


# SPECIFICATION

IMAGE FORMAT	Φ3.4
FOCAL LENGTH	0.09mm
F.O.V. (1/3.2" IMX179)	230°
	230°
	230°
RESOLUTION	8 MP
F-Theta	<3%
APERTURE	F2.0
MOUNT	M12x0.5
IRIS	Fixed
M.O.D.	0.1m
T.T.L.	23.6mm
STRUCTURE	7G+IRCF



SCALE		DRAWN		MODEL	<b>S00903423020F</b>	REV	DESCRIPTION	DATE	NAME
DATE		CHECK		 香港致远电子集团有限公司 HONGKONG TOWIN ELECTRONICS CO.,LTD.		①			
UNIT	mm	APPROVE				②			
						③			