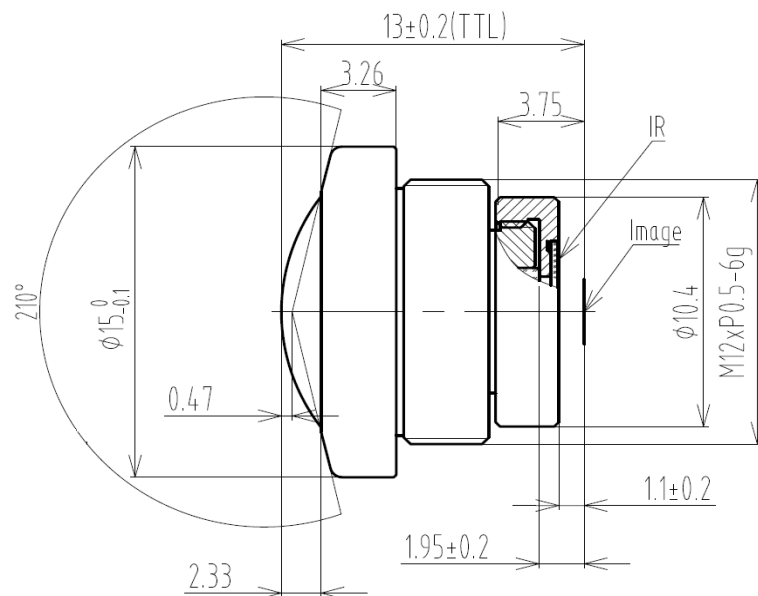


# SPECIFICATION

IMAGE FORMAT	Φ3.0
FOCAL LENGTH	0.08mm
F.O.V. (1/3" OV4689)	210°
	210°
	210°
RESOLUTION	8 MP
F-Theta	<-4.5%
APERTURE	F2.4
MOUNT	M12x0.5
IRIS	Fixed
M.O.D.	0.1m
T.T.L.	13mm
STRUCTURE	7G+IRCF



SCALE		DRAWN		MODEL	<b>S00803021024F</b>	REV	DESCRIPTION	DATE	NAME
DATE		CHECK		 香港致远电子集团有限公司 HONGKONG TOWIN ELECTRONICS CO.,LTD.		①			
UNIT	mm	APPROVE				②			
						③			