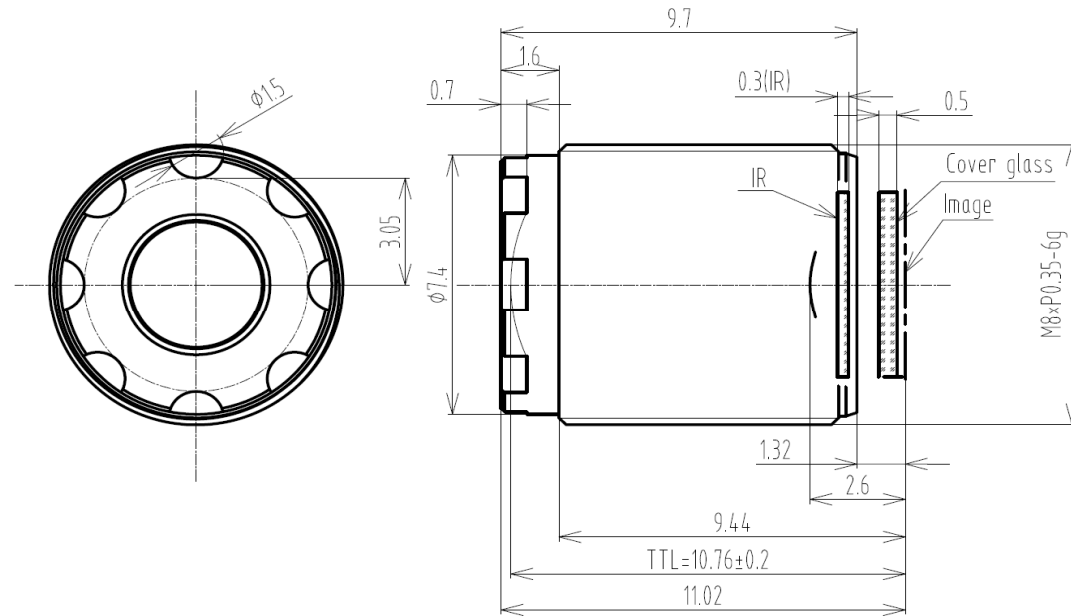


SPECIFICATION

IMAGE FORMAT	1/2.7"
FOCAL LENGTH	7.4mm
F.O.V.	48°
	43°
	25°
RESOLUTION	2 MP
DISTORTION	<2%
APERTURE	F2.0
MOUNT	M8x0.35
IRIS	Fixed
M.O.D.	0.1m
T.T.L.	10.76mm
STRUCTURE	2G2P+IRCF



SCALE		DRAWN		MODEL	M807412704320F	REV	DESCRIPTION	DATE	NAME
DATE		CHECK		 香港致远电子集团有限公司 HONGKONG TOWIN ELECTRONICS CO.,LTD.		①			
UNIT	mm	APPROVE				②			
						③			