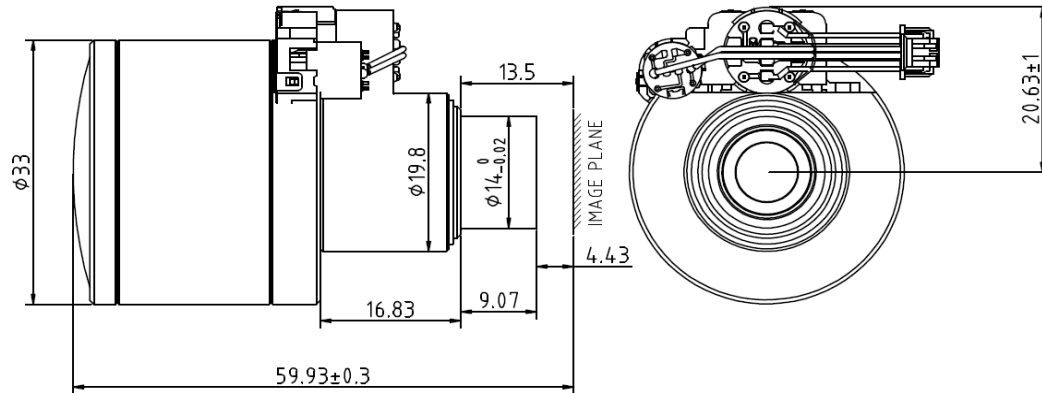


SPECIFICATION

IMAGE FORMAT	1/2.7"
FOCAL LENGTH	2.8-12mm
H F.O.V.	122°~28°
RESOLUTION	3 MegaPixel
DISTORTION	-79~-3%
APERTURE	F1.3-C
MOUNT	Φ14
IRIS	Auto
FOCUS	Manual
ZOOM	Manual
M.O.D.	0.1m
IR	Corrected



SCALE		DRAWN		MODEL	D14281212713A3	REV	DESCRIPTION	DATE	NAME
DATE		CHECK		 香港致远电子集团有限公司 HONGKONG TOWIN ELECTRONICS CO.,LTD.		①			
UNIT	mm	APPROVE				②			
						③			